

## Accessories

### Auxiliary Contacts

#### XTPAXSA\_



#### Side-Mount Auxiliary Contacts

Contact Configuration	Contact Sequence	Pkg. Qty. ①	Screw Terminal Catalog Number
1NO-1NC		5	<b>XTPAXSA11</b>
1NO-2NC		5	<b>XTPAXSA12</b>
2NO-1NC		5	<b>XTPAXSA21</b>

Can be fitted on the right side of manual motor protectors (XTPB, XTPR, XTPM) and manual transformer protectors (XTPT) and can be combined with XTPAXSATR\_ and XTPAXFA\_ trip indicating auxiliary contact.

#### XTPAXFA11



#### Front-Mount Auxiliary Contacts

Contact Configuration	Contact Sequence	Pkg. Qty. ①	Screw Terminal Catalog Number
1NO-1NC		5	<b>XTPAXFA11</b>

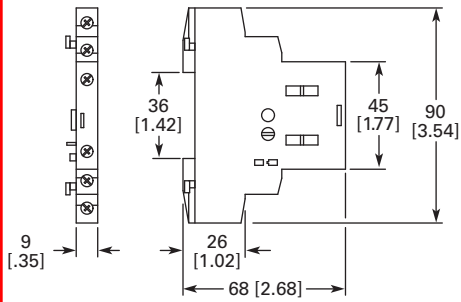
Can be fitted to manual motor protectors (XTPB, XTPR, XTPM) and manual transformer protectors (XTPT). 45 mm (XTPR...B and XTPB) or 55 mm (XTPR...D) widths of manual motor protectors remain unchanged.

**Note**

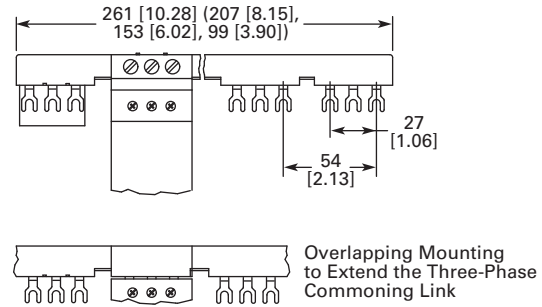
① Orders must be placed in multiples of package quantity listed.

Approximate Dimensions in mm [in]

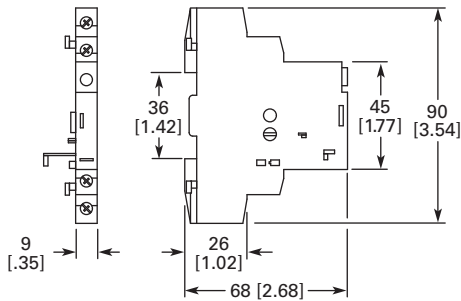
#### Standard Auxiliary Contact—XTPAXSA\_



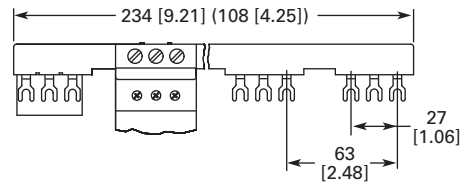
#### Three-Phase Commoning Link—XTPAXCLKB5, XTPAXCLKB4, XTPAXCLKB3 and XTPAXCLKB2



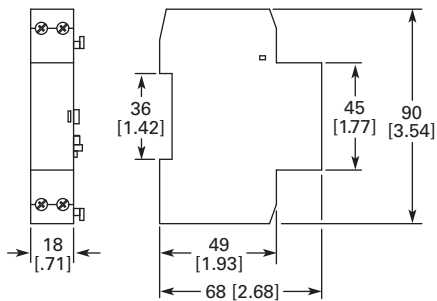
#### Trip Indicating Auxiliary Contact—XTPAXSATR\_



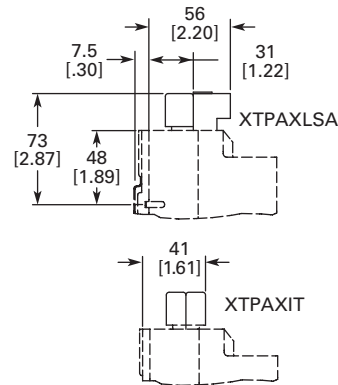
#### Three-Phase Commoning Link—XTPAXCLKC4, XTPAXCLKC2



#### Undervoltage/Shunt Release—XTPAXUVR\_, XTPAXSR\_



#### Incoming Terminal, Line Side Adapter—XTPAXIT, XTPAXLSA



#### Three-Phase Commoning Link—XTPAXCLKA4, XTPAXCLKA2

