

## Full Voltage Reversing Miniature Contactors

XTMR\_



## Maximum UL Ratings—Single-Phase and Three-Phase

## Horsepower Ratings

Single-Phase			Three-Phase				Spare Auxiliary Contacts		Catalog Number <sup>①②</sup>
115V	200V	230V	200V	230V	460V	575V	K1M	K2M	
1/4	3/4	1	1-1/2	2	3	3	-  63 64	-  63 64	XTMR6A21_
1/2	1	1-1/2	2	3	5	5	-  63 64	-  63 64	XTMR9A21_

## Maximum IEC Ratings AC-3

## Three-Phase Motors 50–60 Hz

Operational Current AC-3 Amp Rating 380/400V	Conventional Free Air Thermal Current AC-1 at 50°C	Three-Phase Motors 50–60 Hz				Spare Auxiliary Contacts		Catalog Number <sup>①②</sup>
		220/ 230/ 240V	380/ 400/ 440V	500V	660/ 690V	K1M	K2M	
6.6	20	1.5	3	3	3	-  63 64	-  63 64	XTMR6A21_
8.8	20	2.2	4	4	4	-  63 64	-  63 64	XTMR9A21_

## Magnet Coil Suffix

Coil Voltage	Suffix Code	Coil Voltage	Suffix Code	Coil Voltage	Suffix Code	Coil Voltage	Suffix Code
110V 50 Hz, 120V 60 Hz	<b>A</b>	415V 50 Hz, 480V 60 Hz	<b>C</b>	380V 60 Hz	<b>P</b>	120 Vdc	<b>AD</b>
220V 50 Hz, 240V 60 Hz	<b>B</b>	550V 50 Hz, 600V 60 Hz	<b>D</b> <sup>③</sup>	12V 50/60 Hz	<b>R</b> <sup>③</sup>	220 Vdc	<b>BD</b>
230V 50 Hz	<b>F</b>	208V 60 Hz	<b>E</b>	42V 50 Hz, 48V 60 Hz	<b>W</b>	12 Vdc	<b>RD</b>
24V 50/60 Hz	<b>T</b>	190V 50 Hz, 220V 60 Hz	<b>G</b>	48V 50 Hz	<b>Y</b>	48 Vdc	<b>WD</b>
24 Vdc	<b>TD</b> <sup>②</sup>	240V 50 Hz, 277V 60 Hz	<b>H</b>	—	—	—	—
—	—	380V 50 Hz, 440V 60 Hz	<b>L</b>	—	—	—	—

## Notes

IEC Utilization Categories, see **Page V5-T27-231**.

AC-1: Non-inductive or slightly inductive loads.

AC-3: Squirrel cage motors—starting, switching of motors during running.

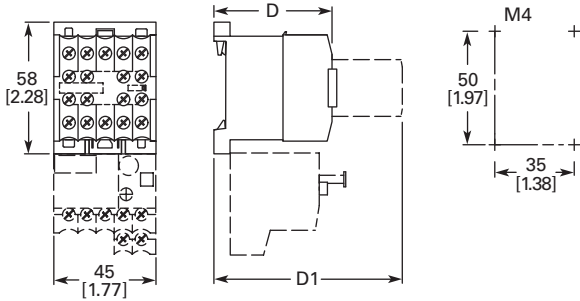
AC-4: Squirrel cage motors—starting, plugging, inching.

<sup>①</sup> Underscore ( \_ ) indicates magnetic coil suffix required. See Magnet Coil Suffix table above.<sup>②</sup> The factory-installed reversing mini contactor includes (2) XTMC...01 contactors, (2) XTMCXFA20 2NO front-mount auxiliary contacts (1) XTMCXRL reversing link kit and (1) XTMCXML mechanical interlock.<sup>③</sup> XTMF four-pole contactor not available with "D" or "R" coil voltage suffix.

### Dimensions

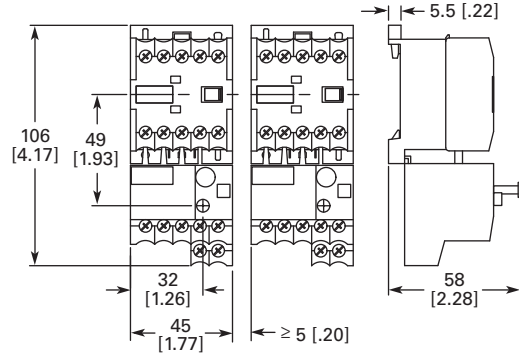
Approximate Dimensions in mm [in.]

#### Non-Reversing Mini Contactor

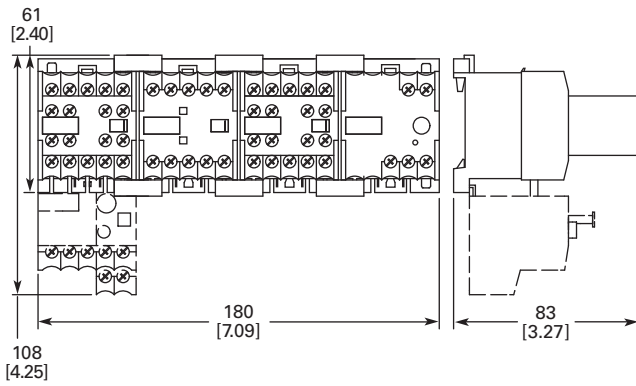


	XTMC	XTMCC
D	52 [2.05]	54 [2.13]
D1	83 [3.27]	86 [3.39]

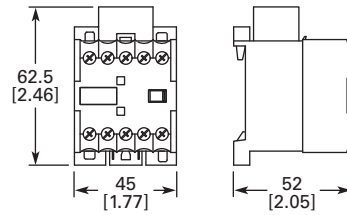
#### Non-Reversing Mini Contactor with Overload Relay



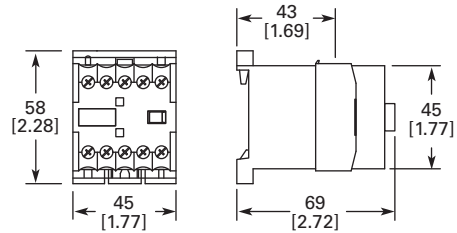
#### Star-Delta Starter Combinations



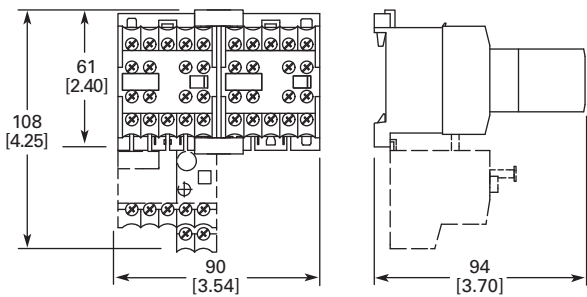
#### XTMCXRSA, XTMCXVSA Mini Suppressors



#### XTMCXTSA Mini Sealable Shroud



#### Reversing Mini Contactor



#### XTMCXML Mechanical Interlock

