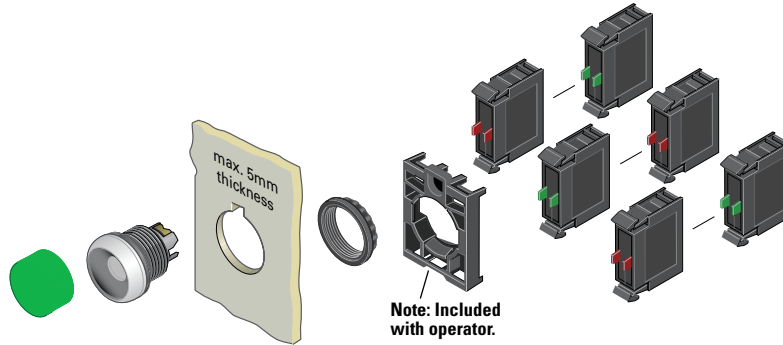


#### 1 Non-Illuminated Pushbuttons, Extended, Maintained <sup>①</sup>



#### Components

##### M22-XDH-W



##### Button Plates <sup>②</sup>

| Color                                  | Inscription         | Catalog Number                     |
|--|---------------------|------------------------------------|
| Black                                  | —                   | <b>M22-XDH-S</b> <sup>③</sup>      |
|  | Custom              | <b>M22-XDH-S-ETCH</b> <sup>④</sup> |
|  | STOP                | <b>M22-XDH-S-GB0</b>               |
|  | START               | <b>M22-XDH-S-GB1</b>               |
|  | CLOSE               | <b>M22-XDH-S-GB2</b>               |
|  | UP                  | <b>M22-XDH-S-GB3</b>               |
|  | DOWN                | <b>M22-XDH-S-GB4</b>               |
|  | OFF                 | <b>M22-XDH-S-GB5</b>               |
|  | ON                  | <b>M22-XDH-S-GB6</b>               |
|  | TEST                | <b>M22-XDH-S-GB9</b>               |
|  | FORWARD             | <b>M22-XDH-S-GB15</b>              |
|  | REVERSE             | <b>M22-XDH-S-GB16</b>              |
|  | RAISE               | <b>M22-XDH-S-GB17</b>              |
|  | LOWER               | <b>M22-XDH-S-GB18</b>              |
|  | Ⓞ                   | <b>M22-XDH-S-X0</b>                |
|  | Ⓛ                   | <b>M22-XDH-S-X1</b>                |
|  | Ⓜ                   | <b>M22-XDH-S-X2</b>                |
| +                                      | <b>M22-XDH-S-X4</b> |                                    |
| −                                      | <b>M22-XDH-S-X5</b> |                                    |
| Ⓛ                                      | <b>M22-XDH-S-X7</b> |                                    |
| Red                                    | —                   | <b>M22-XDH-R</b> <sup>③</sup>      |
|  | Custom              | <b>M22-XDH-R-ETCH</b> <sup>④</sup> |
|  | STOP                | <b>M22-XDH-R-GB0</b>               |
|  | OFF                 | <b>M22-XDH-R-GB5</b>               |
|  | Ⓞ                   | <b>M22-XDH-R-X0</b>                |
|  | Ⓛ                   | <b>M22-XDH-R-X1</b>                |
| Green                                  | —                   | <b>M22-XDH-G</b> <sup>③</sup>      |
|  | Custom              | <b>M22-XDH-G-ETCH</b> <sup>④</sup> |
|  | START               | <b>M22-XDH-G-GB1</b>               |
|  | ON                  | <b>M22-XDH-G-GB6</b>               |
|  | Ⓛ                   | <b>M22-XDH-G-X1</b>                |
| Blue                                   | —                   | <b>M22-XDH-B</b> <sup>③</sup>      |
|  | Custom              | <b>M22-XDH-B-ETCH</b> <sup>④</sup> |
|  | RESET               | <b>M22-XDH-B-GB14</b>              |
|  | Ⓜ                   | <b>M22-XDH-B-X6</b>                |
| White                                  | —                   | <b>M22-XDH-W</b> <sup>③</sup>      |
|  | Custom              | <b>M22-XDH-W-ETCH</b> <sup>④</sup> |
|  | START               | <b>M22-XDH-W-GB1</b>               |
|  | Ⓛ                   | <b>M22-XDH-W-X1</b>                |
| Yellow                                 | —                   | <b>M22-XDH-Y</b> <sup>③</sup>      |
|  | Custom              | <b>M22-XDH-Y-ETCH</b> <sup>④</sup> |
| Black, red, green                      | —                   | <b>M22-XDH-SRG</b>                 |
| Black, white, red, green, yellow, blue | —                   | <b>M22-XDH-SWRGYB</b>              |

##### Buttonless Operator

Bezel Catalog Number <sup>⑤</sup>

##### M22-DR-X



Silver

**M22-DR-X**

##### M22S-DR-X



Black

**M22S-DR-X**

##### M22-K10



##### Contact Blocks <sup>②</sup>

| Terminal Type | Contact Configuration <sup>⑥</sup> | Catalog Number   |
|---------------|------------------------------------|------------------|
| Screw         | NO                                 | <b>M22-K10</b>   |
|               | NO, early-make                     | <b>M22-K10P</b>  |
|               | NC                                 | <b>M22-K01</b>   |
|               | NC, late-break                     | <b>M22-K01D</b>  |
| Spring-cage   | NO                                 | <b>M22-CK10</b>  |
|               | NC                                 | <b>M22-CK01</b>  |
|               | NC, late-break                     | <b>M22-CK01D</b> |
|               | 2NO                                | <b>M22-CK20</b>  |
|               | 2NC                                | <b>M22-CK02</b>  |
|               | NO-NC                              | <b>M22-CK11</b>  |

#### Notes

- ① Maintained pushbuttons can be converted in the field to momentary operation by switching the locking ring, which is accessible through the side of the operator body.
- ② For complete listing of available button plates and contact blocks, see Accessories, **Pages V7-T1-96 to V7-T1-101**.
- ③ Minimum order quantity of (10).
- ④ When ordering, specify inscription per catalog number suffix from the Symbols Library (see **Pages V7-T1-114 to V7-T1-121**) into the Order Notes. For example, M22-XDH-S-ETCH; Order Notes: Mark with symbol X91, Line item # \_.
- ⑤ Includes contact block mounting adapter.
- ⑥ All NC contact blocks are positively driven contact. Ⓞ