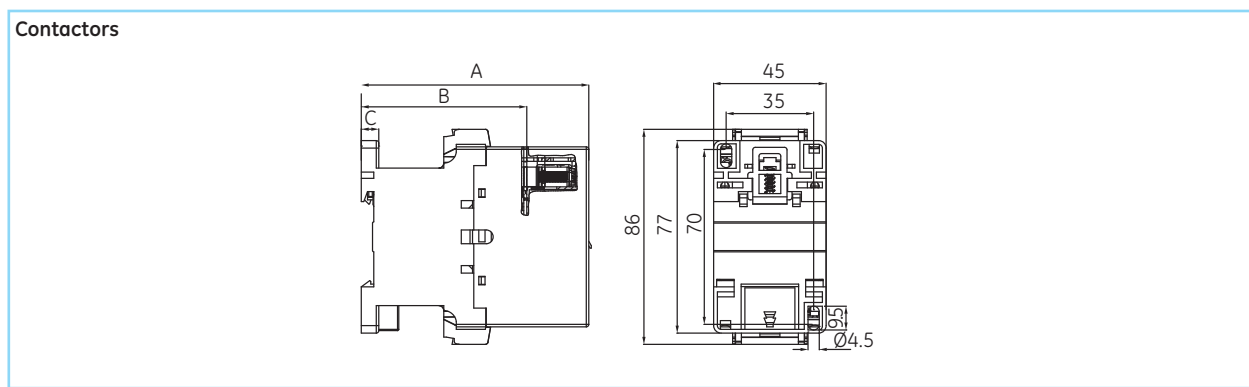


3 pole contactors - Double box terminals

Max. operating current		Admissible power AC3				Electrical endurance	Aux. cont.	Control circuit																	
Not inductive load AC1 A	Motors <480V 3Ph 50-60Hz AC3 A	220-240V	380-415V	440-480V	690V	Cat. AC3 Operations (B10d)	NO	NC	AC			Voltage	Cat. no. ⁽¹⁾	Ref. no.											
		kW hp	kW hp	kW hp	kW				Voltage	Cat. no.	Ref. no.														
25	9	2.2 3	4 5.5	4 5.5	7.5	2x10 ⁶	1	1	12	EC09A311B012	267001	24-60	EC09E311B24-60	216377											
									24	EC09A311B024	267002														
		48	EC09A311B048	267004																					
		1	1	110	120	208	230	240	400	440	480	500	600	100-250	EC09E311B100-250	216379									
																	120	EC09A311B120	267006						
		1	1	208	230	240	400	440	480	500	600	12	24	110	250	440W	267085								
																		230	EC09A311B230	267008					
		1	1	240	400	440	480	500	600	12	24	110	250	440W	267086										
																400	EC09A311B400	267009							
		1	1	240	400	440	480	500	600	12	24	110	250	440W	267091										
																440	EC09A311B440	267010							
		1	1	440	480	500	600	12	1	1	120	208	230	240	400	440	480	500	600	12	24	110	250	440W	267095
		1	1	240	400	440	480	500	600	12	24	110	250	440W	267096										
400	EC09A311B400															267012									
1	1	440	480	500	600	12	1	1	120	208	230	240	400	440	480	500	600	12	24	110	250	440W	267099		
																								208	EC09A311B208
1	1	240	400	440	480	500	600	12	24	110	250	440W	267099												
														400	EC09A311B400	267014									
25	12	3 4	5.5 7.5	5.5 7.5	11	2x10 ⁶	1	1	12	EC12A311B012	267015	24-60	EC12E311B24-60	216380											
									24	EC12A311B024	267016														
		48	EC12A311B048	267018																					
		1	1	110	120	208	230	240	400	440	480	500	600	100-250	EC12E311B100-250	216382									
																	120	EC12A311B120	267019						
		1	1	208	230	240	400	440	480	500	600	12	24	110	250	440W	267100								
																		230	EC12A311B230	267021					
		1	1	240	400	440	480	500	600	12	24	110	250	440W	267101										
																400	EC12A311B400	267022							
		1	1	240	400	440	480	500	600	12	24	110	250	440W	267106										
																440	EC12A311B440	267023							
		1	1	440	480	500	600	12	1	1	120	208	230	240	400	440	480	500	600	12	24	110	250	440W	267109
		1	1	240	400	440	480	500	600	12	24	110	250	440W	267110										
400	EC12A311B400															267026									
1	1	440	480	500	600	12	1	1	120	208	230	240	400	440	480	500	600	12	24	110	250	440W	267111		
																								208	EC12A311B208
1	1	240	400	440	480	500	600	12	24	110	250	440W	267111												
														400	EC12A311B400	267028									
32	18	4 5.5	7.5 10	7.5 10	15	1.7x10 ⁶	1	1	12	EC18A311B012	267029	24-60	EC18E311B24-60	216383											
									24	EC18A311B024	267030														
		48	EC18A311B048	267032																					
		1	1	110	120	208	230	240	400	440	480	500	600	100-250	EC18E311B100-250	216385									
																	120	EC18A311B120	267033						
		1	1	208	230	240	400	440	480	500	600	12	24	110	250	440W	267115								
																		230	EC18A311B230	267034					
		1	1	240	400	440	480	500	600	12	24	110	250	440W	267116										
																400	EC18A311B400	267035							
		1	1	240	400	440	480	500	600	12	24	110	250	440W	267121										
																440	EC18A311B440	267036							
		1	1	440	480	500	600	12	1	1	120	208	230	240	400	440	480	500	600	12	24	110	250	440W	267124
		1	1	240	400	440	480	500	600	12	24	110	250	440W	267125										
400	EC18A311B400															267038									
1	1	440	480	500	600	12	1	1	120	208	230	240	400	440	480	500	600	12	24	110	250	440W	267126		
																								208	EC18A311B208
1	1	240	400	440	480	500	600	12	24	110	250	440W	267126												
														400	EC18A311B400	267041									
45	25	7.5 10	11 15	12 16	22	1.7x10 ⁶	1	1	12	EC25A311B012	267043	24-60	EC25E311B24-60	216386											
									24	EC25A311B024	267044														
		48	EC25A311B048	267046																					
		1	1	110	120	208	230	240	400	440	480	500	600	100-250	EC25E311B100-250	216388									
																	120	EC25A311B120	267047						
		1	1	208	230	240	400	440	480	500	600	12	24	110	250	440W	267130								
																		230	EC25A311B230	267048					
		1	1	240	400	440	480	500	600	12	24	110	250	440W	267131										
																400	EC25A311B400	267049							
		1	1	240	400	440	480	500	600	12	24	110	250	440W	267136										
																440	EC25A311B440	267050							
		1	1	440	480	500	600	12	1	1	120	208	230	240	400	440	480	500	600	12	24	110	250	440W	267139
		1	1	240	400	440	480	500	600	12	24	110	250	440W	267140										
400	EC25A311B400															267052									
1	1	440	480	500	600	12	1	1	120	208	230	240	400	440	480	500	600	12	24	110	250	440W	267141		
																								208	EC25A311B208
1	1	240	400	440	480	500	600	12	24	110	250	440W	267141												
														400	EC25A311B400	267054									
60	32	9 12	15 22	15 22	30	1.37x10 ⁶	0	0	12	EC32A300B012	267057	24-60	EC32E300B24-60	216389											
									24	EC32A300B024	267058														
		48	EC32A300B048	267060																					
		0	0	110	120	208	230	240	400	440	480	500	600	100-250	EC32E300B48-130	216390									
																	120	EC32A300B120	267061						
		0	0	208	230	240	400	440	480	500	600	12	24	110	250	440W	267145								
																		230	EC32A300B230	267062					
		0	0	240	400	440	480	500	600	12	24	110	250	440W	267146										
																400	EC32A300B400	267063							
		0	0	240	400	440	480	500	600	12	24	110	250	440W	267151										
																440	EC32A300B440	267064							
		0	0	440	480	500	600	12	1	1	120	208	230	240	400	440	480	500	600	12	24	110	250	440W	267154
		0	0	240	400	440	480	500	600	12	24	110	250	440W	267155										
400	EC32A300B400															267066									
0	0	440	480	500	600	12	1	1	120	208	230	240	400	440	480	500	600	12	24	110	250	440W	267156		
																								208	EC32A300B208
0	0	240																							

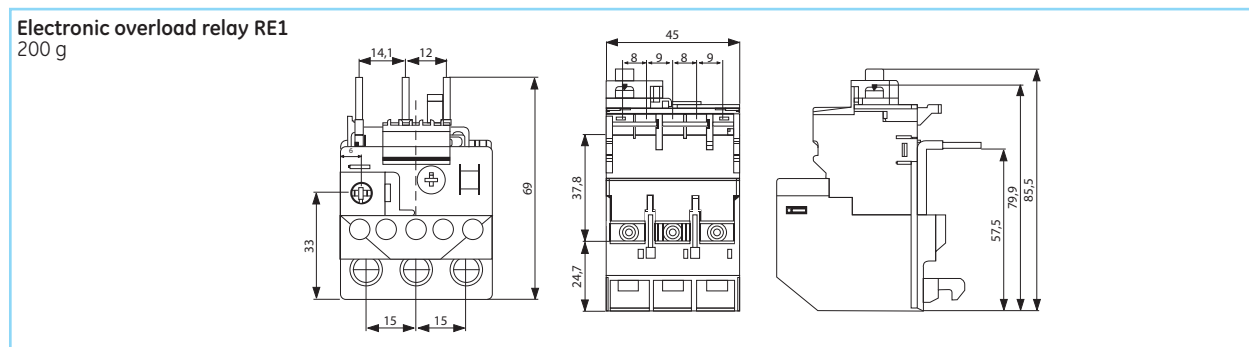
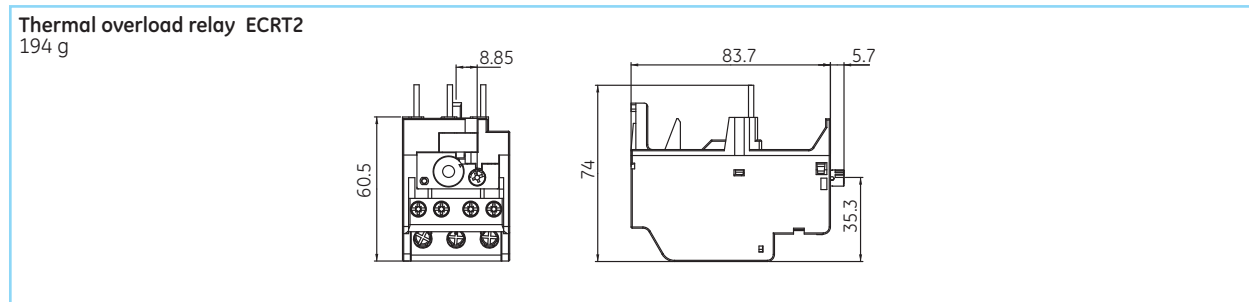
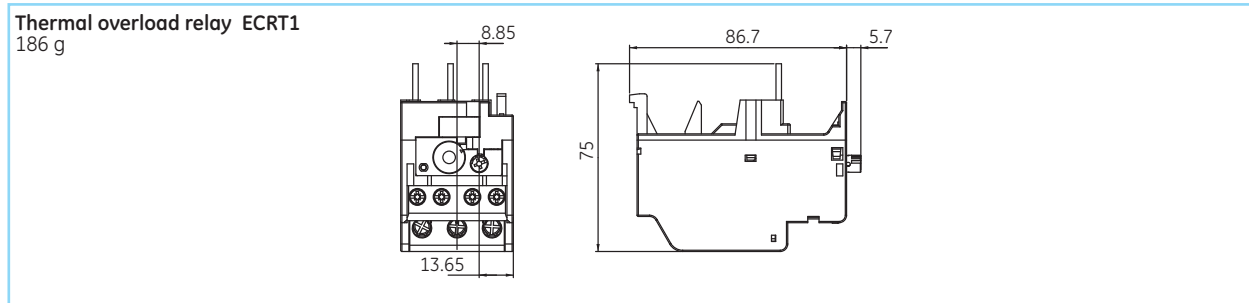
Dimensions and weights

EC contactors



Dimensions in mm	EC09*3 - EC18*3 and ECACA	EC25*3	EC32*3 - EC40*3	EC09D3 - EC18D3 and ECACD	EC25D3	EC32D3 - EC40D3
A	92	97	102	102	110	115
B	66.2	66.2	67.2	76.2	80.2	81.2
C	7	7	7	7	7	7
Weight in g	350	490	530	620	700	740

* A (AC) and E (AC/DC) configurations



Dimensions in mm (inch = mm x 0.03937) - Weight in kg (lb = kg x 2.2046)

Intro

A

B

C

D

E

F

G

H

I

X