

CWB Series

Selection Table

Three-Pole CWB Contactors from 9 up to 38 A (AC-3)

| le máx. (Ue ≤440 V) | le = Ith (Ue ≤690 V) θ ≤55 °C | Maximum UL Horsepower | | | | | | Built-in auxiliary contacts per contactor | | Catalog Number | List Price AC Coil | List Price DC Coil | Multiplier |
|------------------------|-------------------------------------|-----------------------|------|-------------|-------|-------|-------|--|--------|-------------------|--------------------------|--------------------------|------------|
| | | Single Phase | | Three Phase | | | | NO | NC | | | | |
| | | 115V | 230V | 200V | 230V | 480V | 575V | | | | | | |
| AC-3 A | AC-1 A | | | | | | | | | | | | |
| 9 | 25 | 3/4 | 1.5 | 3 | 3 | 5 | 7 1/2 | 1 | 1 | CWB9-11-30 ♦ | \$72 | \$118 | Z1 |
| 12 | 25 | 3/4 | 2 | 3 | 3 | 7 1/2 | 10 | 1 | 1 | CWB12-11-30 ♦ | \$89 | \$123 | |
| 18 | 32 | 1 | 3 | 5 | 5 | 10 | 15 | 1 | 1 | CWB18-11-30 ♦ | \$103 | \$150 | |
| 25 | 40 | 2 | 5 | 7 1/2 | 7 1/2 | 15 | 15 | 1 | 1 | CWB25-11-30 ♦ | \$118 | \$177 | |
| 32 | 50 | 3 | 5 | 10 | 10 | 20 | 25 | 1 | 1 | CWB32-11-30 ♦ | \$140 | \$220 | |
| 38 | 50 | 3 | 7.5 | 10 | 10 | 25 | 25 | 1 | 1 | CWB38-11-30 ♦ | \$164 | \$282 | |

Note: to complete the Part Number, replace "♦" by the appropriate coil voltage code.

| Coil voltage code | D02 | D07 | D15 | D77 | D25 | D33 | D39 | D45 | V24 |
|-------------------|-----|-----|-----|-----|-----|-----|-----|-----|----------|
| V (50/60 Hz) | 24 | 48 | 120 | 208 | 240 | 380 | 480 | 600 | 208-240v |

| Coil voltage code | C02 | C03 | C07 | C09 | C12 | C13 | C15 |
|-------------------|-----|-----|-----|-----|-----|-----|-----|
| V dc | 12 | 24 | 48 | 60 | 110 | 125 | 220 |

Note: other coil voltages available upon request.

General Information

Circuit Protection

Disconnect Switches

Motor Protectors

Contactors

Overloads

Enclosed Starters

Relays

Pushbuttons and Pilot Lights

Terminal Blocks

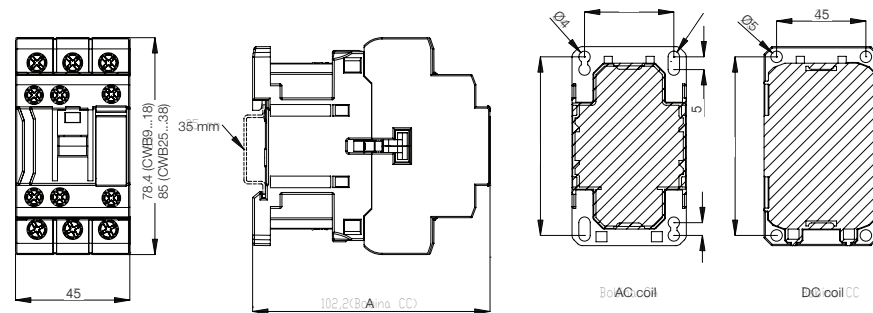
Power Factor Correction

Appendix A

Appendix B

CWB Series

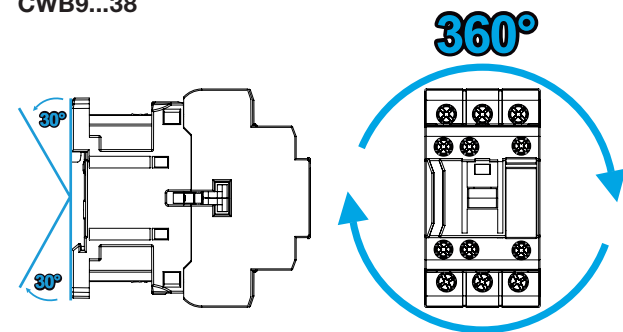
CWB9...18, CWB25...38



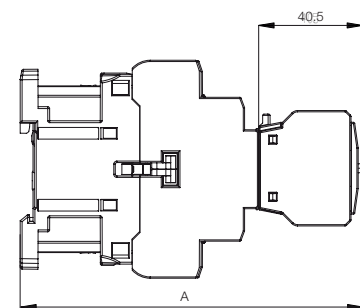
| Models | A | |
|------------|---------|---------|
| | AC coil | DC coil |
| CWB9...18 | 89.5 | 95.7 |
| CWB25...38 | 93 | 102.2 |

Mounting Position

CWB9...38

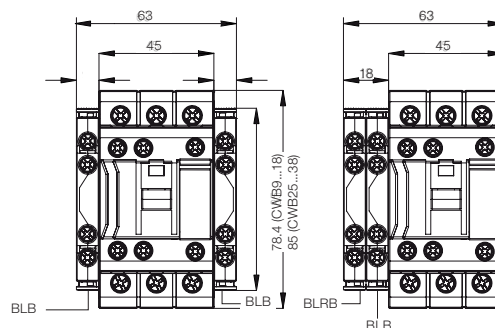


CWB9...18, CWB25...38 + BFB
(Front Mounted Auxiliary Contact Block)



| Models | A | |
|------------|---------|---------|
| | AC coil | DC coil |
| CWB9...18 | 130 | 136.2 |
| CWB25...38 | 133.5 | 142.7 |

CWB9...18, CWB25...38 + BLB
(Side Mounted Auxiliary Contact Block)



General Information

Circuit Protection

Disconnect Switches

Motor Protectors

Contactors

Overloads

Enclosed Starters

Relays

Pushbuttons and Pilot Lights

Terminal Blocks

Power Factor Correction

Appendix A

Appendix B