



# 3-Pole Contactors

## 15 HP

## 22 FLA

Contactor catalog numbers are shown in the shaded area in the **Contactor Selection and Data** table. To complete the catalog number, replace the asterisk (\*) with the appropriate digit from the shaded area in the **Coil Selection** table. Additional coil information is shown in the **Coil Data** table.

<b>Contactor Selection and Data</b>		15 hp @ 460V AC-3 (11 kW @ 380/415V, 50 Hz)
AC Contactors	Full Voltage Non-Reversing	<b>CL25A310T*</b>
	Reversing	<b>LAR25A*</b>
DC Contactors	Full Voltage Non-Reversing	<b>CL25D310T*</b>
	Reversing	<b>LDR25A*</b>
Aux. Contacts	Maximum Aux. Contacts	4
	Maximum Contact Block Configuration	4 Front-Mount or 1 Side-Mount on each side
Aux. Contacts (A600, Q600) <sup>1</sup>		1NO
Continuous Amp Rating (UL)		32
AC-1 Amperes (IEC)		45
AC-2/AC-3	Max. FLA	
	480 Volts	22
	600 Volts	17.5
	Max. Hp (1-Phase)	
	115 Volts	1.5
	230 Volts	3
AC-2/AC-3	Max. Hp (3-Phase)	
	200 Volts	5
	230 Volts	7.5
	460 Volts	15
	575 Volts	15
AC-4 Max. Hp	200 Volts	5
	230 Volts	7.5
	460 Volts	15
	575 Volts	15
Mechanical Life (millions of operations)		20
Elec. Endurance (AC-3) At Rated Current (millions of operations)		2
Maximum Operational Current 460V and Below	AC-1 ≤ 1200 ops./hour	32
	3000 ops./hour	16
	AC-3 ≤ 1200 ops./hour	22
	3000 ops./hour	7.7
Net Weight	Contactor	10 oz.
	Class 10 Overload Relay	7 oz.
Wire Size - Power Terminals 75°C (Cu) AWG		14-8
Torque (Main) in.-lb.		20
Noise (dba)		25

<sup>1</sup> A Front-Mount auxiliary contact is supplied. Add the suffix "S" to catalog number for Side-Mount auxiliary contact.

### Coil Selection

AC Voltage		DC Voltage	Coil * Suffix
60 Hz	50 Hz		
24	24	—	1
—	—	12	B
—	—	24	D
48	42	—	F
—	—	48	G
120	110	—	J
—	—	125	K
208	—	—	L
277	220/230	—	N
240	—	—	S
—	—	250	T
480	380/400	—	U
—	415	—	W
600	500	—	Y

### Coil Data

	AC Voltage	DC Voltage
Burden		
Inrush	45 VA	5.5 W
Holding	6 VA	5.5 W
Pick-up Voltage (% Of Coil Volts)	85-110	80-110
Drop-Out Voltage (% Of Coil Volts)	40-55	15-30
Switching Delay (ms)		
Switching Delay On		
Coil Voltage at +10% to -20%	6-25	35-65
Coil Voltage At Rated Value	8-20	40-50
Switching Delay Off		
Coil Voltage at +10% to -20%	6-13	30-60
Coil Voltage At Rated Value	6-13	30-60
Maximum Operations per Hour		
No Load	9000	3600
Rated Load — AC1, AC3	1200	1200
Rated Load — AC4	360	360

### REFERENCES

Standards and Listings .....	Page 41
Overload Relays .....	Pages 26-29
Accessories .....	Pages 30-37
Life Curves .....	Pages 42-44
Additional Coil Information .....	Page 37
Instruction Sheet .....	GEH-6223
UL File Number .....	E76233
CSA File Number .....	LR30821

# 3-Pole Contactors

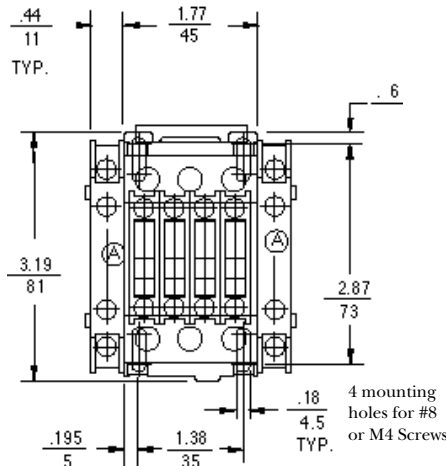
## 15 HP

## 22 FLA

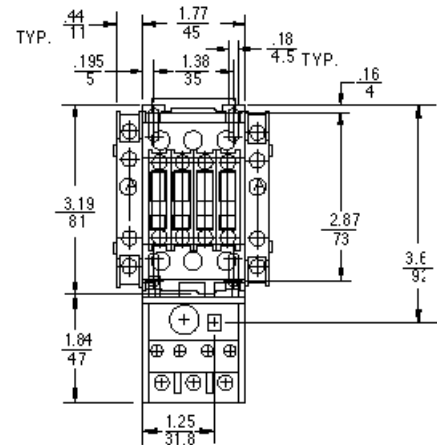
### Legend and Notes for Illustration

- Ⓐ Extra Auxiliary Contacts, Side Mounted (if used)
- Ⓑ Extra Auxiliary Contacts, Front Mounted (if used)
- Ⓒ Pneumatic Timer (if used)
- Ⓓ Mechanical Latch (if used)
- Ⓔ Transient Voltage Suppressor

Add ½ inch for electrical clearance to enclosure.



**Contactor - Front View**



**Starter - Front View**

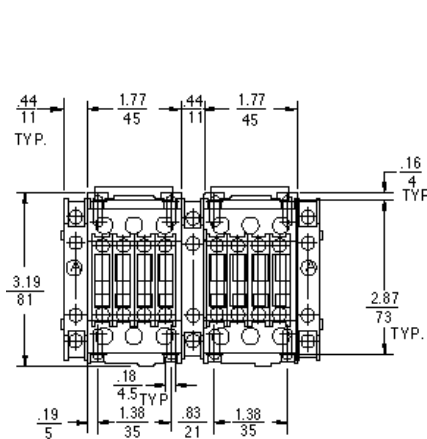
### Engineering Outline Drawings

#### AC

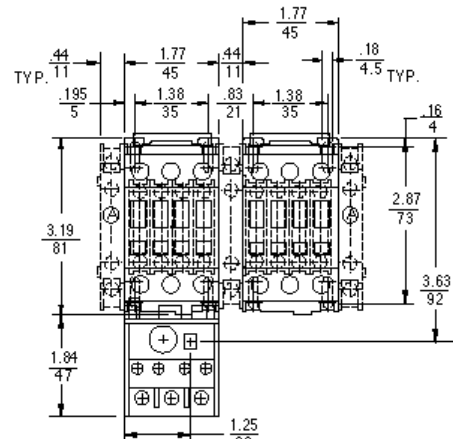
Contactor .....	55-215788
Starter .....	55-215826
Reversing Contactor .....	55-215798
Reversing Starter .....	55-215799

#### DC

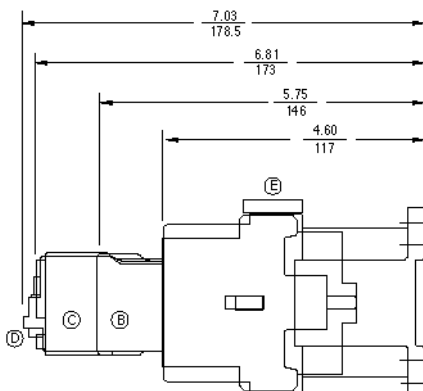
Contactor .....	55-215837
Starter .....	55-215868
Reversing Contactor .....	55-215780
Reversing Starter .....	55-215804



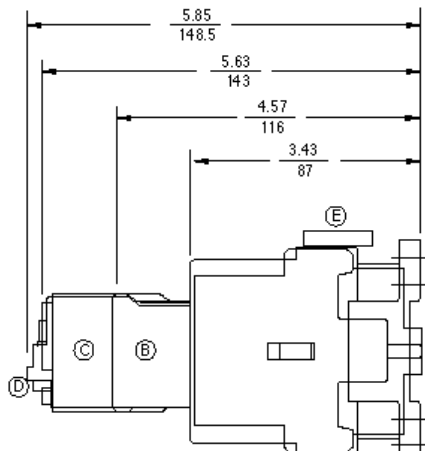
**Reversing Contactor - Front View**



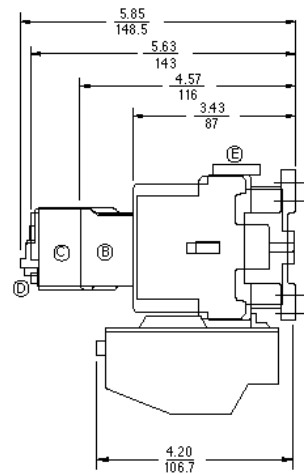
**Reversing Starter - Front View**



**DC Contactor - Side View**



**AC Contactor - Side View**



**AC Starter - Side View**