

IEC Contactors

C-2000

Nonreversing

AC, DC, AC/DC Controlled, 4-Pole

HP Ratings AC-3 Duty

7.5-60 Hp (460 V) Standard Terminals AC Controlled

Maximum Current @ 460 V (A) AC-3	1-Phase HP @60 Hz, 115V	1-Phase HP @60 Hz, 230V	3-Phase HP @60 Hz, 200V	3-Phase HP @60 Hz, 230V	3-Phase HP @60 Hz, 460V	3-Phase HP @60 Hz, 575V	Auxiliary Contacts	Coil Type	Contact Configuration	Product Number <sup>1</sup>	List Price GO-10C2
13.8A	0.75	2	3	3	7.5	10	None	AC	4NO	CL01A400T*	\$109.00
13.8A	0.75	2	3	3	7.5	10	None	AC	2NO-2NC	CL01AB00T*	\$109.00
17.5A	1	3	5	5	10	15	None	AC	4NO	CL02A400T*	\$143.00
17.5A	1	3	5	5	10	15	None	AC	2NO-2NC	CL02AB00T*	\$143.00
25A	2	3	7.5	7.5	15	20	None	AC	4NO	CL03A400M*	\$176.00
25A	2	3	7.5	7.5	15	20	None	AC	2NO-2NC	CL03AB00M*	\$176.00
32A	2	5	10	10	20	25	None	AC	4NO	CL04A400M*	\$225.00
32A	2	5	10	10	20	25	None	AC	2NO-2NC	CL04AB00M*	\$225.00
42A	3	7.5	10	15	30	30	None	AC	4NO	CL05A400M*	\$340.00
42A	3	7.5	10	15	30	30	None	AC	2NO-2NC	CL05AB00M*	\$340.00
62A	5	10	20	20	40	50	None	AC	4NO	CL07A400M*	\$425.00
62A	5	10	20	20	40	50	None	AC	2NO-2NC	CL07AB00M*	\$425.00
68A	5	10	20	25	50	60	None	AC	2NO-2NC	CL08AB00M*	\$447.00
80A	7.5	15	25	30	60	75	None	AC	4NO	CL09A400M*	\$475.00

(Replace asterisk (\*) in product number with appropriate digit from table below.)

Coil Selection Table

AC Voltage		*Coil Suffix
60 Hz	50 Hz	
24	24	1
48	42	F
120	110	J
208	—	L
277	220/230	N
240	—	S
480	380/400	U
—	415	W
600	500	Y

Additional Coils Available, see page 5-50.

7.5-20 Hp (460 V) Standard Terminals DC Controlled

Maximum Current @ 460 V (A) AC-3	1-Phase HP @60 Hz, 115V	1-Phase HP @60 Hz, 230V	3-Phase HP @60 Hz, 200V	3-Phase HP @60 Hz, 230V	3-Phase HP @60 Hz, 460V	3-Phase HP @60 Hz, 575V	Auxiliary Contacts	Coil Type	Contact Configuration	Product Number <sup>1</sup>	List Price GO-10C2
13.8A	0.75	2	3	3	7.5	10	None	DC	4NO	CL01D400T#	\$132.00
13.8A	0.75	2	3	3	7.5	10	None	DC	2NO-2NC	CL01DB00T#	\$132.00
17.5A	1	3	5	5	10	15	None	DC	4NO	CL02D400T#	\$166.00
17.5A	1	3	5	5	10	15	None	DC	2NO-2NC	CL02DB00T#	\$166.00
25A	2	3	7.5	7.5	15	20	None	DC	4NO	CL03D400M#	\$232.00
25A	2	3	7.5	7.5	15	20	None	DC	2NO-2NC	CL03DB00M#	\$232.00
32A	2	5	10	10	20	25	None	DC	4NO	CL04D400M#	\$263.00
32A	2	5	10	10	20	25	None	DC	2NO-2NC	CL04DB00M#	\$263.00

(Replace crosshatch (#) in product number with appropriate digit from table below.)

Coil Selection Table

DC Volts	#Coil Suffix
24	D
48	G
120/125	K
250	T

30-60 Hp (460 V) Standard Terminals AC/DC Controlled

Maximum Current @ 460 V (A) AC-3	1-Phase HP @60 Hz, 115V	1-Phase HP @60 Hz, 230V	3-Phase HP @60 Hz, 200V	3-Phase HP @60 Hz, 230V	3-Phase HP @60 Hz, 460V	3-Phase HP @60 Hz, 575V	Auxiliary Contacts	Coil Type	Contact Configuration	Product Number <sup>1</sup>	List Price GO-10C2
48A	3	7.5	10	15	30	30	None	AC/DC	4NO	CL05E400M†	\$405.00
48A	3	7.5	10	15	30	30	None	AC/DC	2NO-2NC	CL05EB00M†	\$405.00
62A	5	10	20	20	40	50	None	AC/DC	4NO	CL07E400M†	\$484.00
62A	5	10	20	20	40	50	None	AC/DC	2NO-2NC	CL07EB00M†	\$484.00
68A	5	10	20	25	50	60	None	AC/DC	2NO-2NC	CL08EB00M†	\$516.00
80A	7.5	15	25	30	60	75	None	AC/DC	4NO	CL09E400M†	\$544.00

(Replace dagger (†) in product number with appropriate digit from table below.)

Coil Selection Table

DC/AC Volts	†Coil Suffix
24-28	D
42-42	F
110-127	J
220-250	N

<sup>1</sup>To complete the contactor product number, replace the \*, # or † in the product number with the appropriate digit from the Coil Selection table. Auxiliary contact shipped unassembled.

Product Number Selection Instructions: See page 5-37



# IEC Power Devices

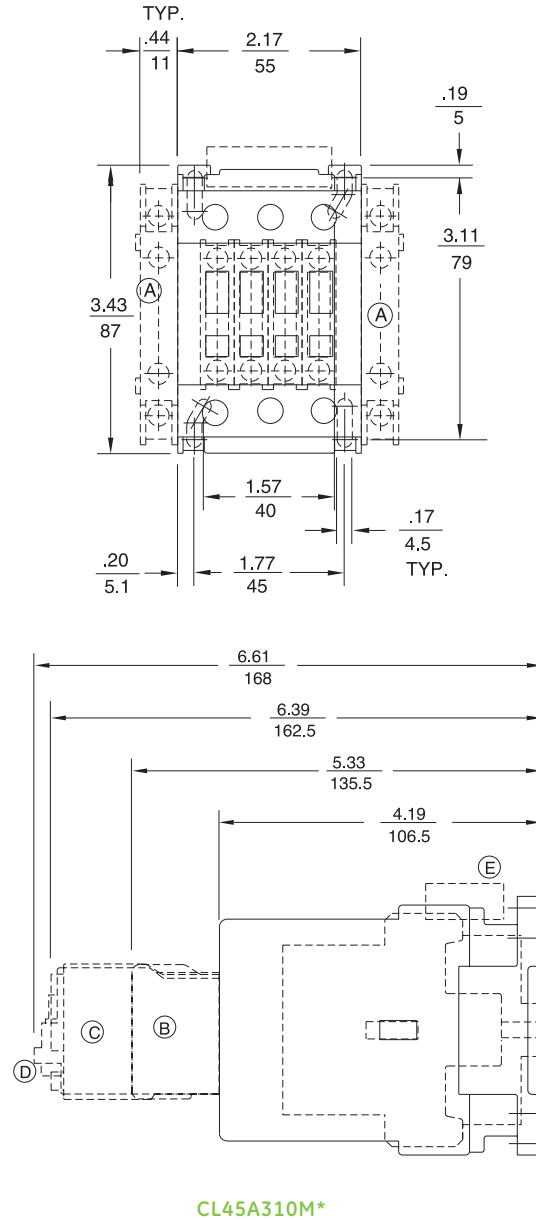
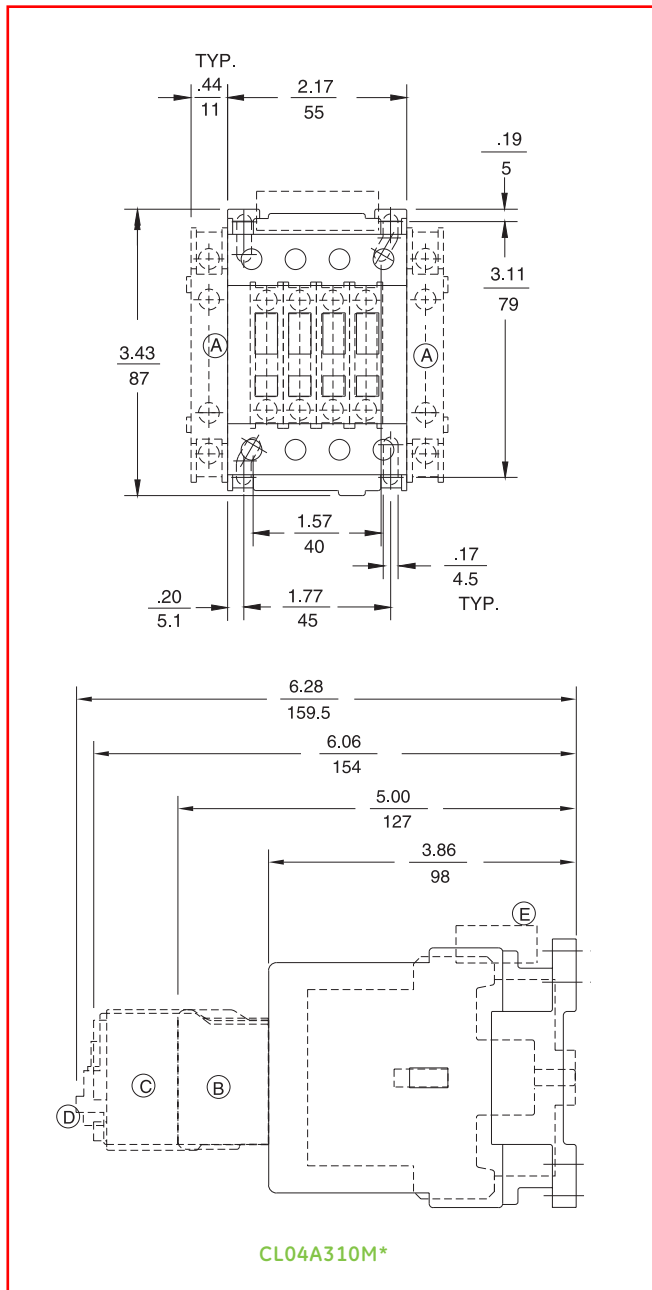
## IEC Contactors Dimensions

### C-2000

Outlines and Dimensions ( $\frac{in}{mm}$ ) For Estimating Only

## Section 5

### Contactor Front View and AC Contactor Side View



#### Legend and Notes

- A Extra Auxiliary Contacts, Side Mounted (if used)
  - B Extra Auxiliary Contacts, Front Mounted (if used)
  - C Pneumatic Timer (if used)
  - D Mechanical Latch (if used)
  - E Transient Voltage Suppressor
- Add 1/2 inch for electrical clearance to enclosure.



Product Number Selection Instructions: See page 5-37