

IEC Contactors

C-2000

Nonreversing and Reversing

DC Controlled, 3-Pole

HP Ratings AC-3 Duty

5-25 Hp (460V) Nonreversing Standard Terminals

| Maximum Current @ 460 V (A) AC-3 | 1-Phase HP @60 Hz, 115V | 1-Phase HP @60 Hz, 230V | 3-Phase HP @60 Hz, 200V | 3-Phase HP @60 Hz, 230V | 3-Phase HP @60 Hz, 460V | 3-Phase HP @60 Hz, 575V | kW @ 50 Hz, 380/415V | Auxiliary Contacts | Product Number ¹ | List Price GO-10C2 |
|----------------------------------|-------------------------|-------------------------|-------------------------|-------------------------|-------------------------|-------------------------|----------------------|--------------------|-----------------------------|--------------------|
| 10A | 0.5 | 1.5 | 3 | 3 | 5 | 7.5 | 4 | 1NO | CL00D310T# | \$109.00 |
| 13.8A | 0.75 | 2 | 3 | 3 | 7.5 | 10 | 5.5 | 1NO | CL01D310T# | \$133.00 |
| 17.5A | 1 | 3 | 5 | 5 | 10 | 15 | 7.5 | 1NO | CL02D310T# | \$147.00 |
| 22A | 1.5 | 3 | 5 | 7.5 | 15 | 15 | 11 | 1NO | CL25D310T# ² | \$166.00 |
| 32A | 2 | 5 | 10 | 10 | 20 | 25 | 16 | 1NO | CL04D310M# | \$195.00 |
| 34A | 3 | 5 | 10 | 10 | 25 | 25 | 18.5 | 1NO | CL45D310M# ² | \$252.00 |

¹To complete the contactor product number, replace the # in the product number with the appropriate digit from the Coil Selection table.

²A 1NO front mounted auxiliary contact block is supplied (unassembled) with contactors that begin with CL25 and CL45. Add suffix "S" to product number for 1NO-1NC side auxiliary (assembled), add \$11.00 GO-10C2 to list price (example: CL45D310MKS, list price \$252.00 + \$11.00 = \$263.00 GO-10C2).

5-10 Hp (460V) Nonreversing with Ring Terminal Capacity

| Maximum Current @ 460 V (A) AC-3 | 1-Phase HP @60 Hz, 115V | 1-Phase HP @60 Hz, 230V | 3-Phase HP @60 Hz, 200V | 3-Phase HP @60 Hz, 230V | 3-Phase HP @60 Hz, 460V | 3-Phase HP @60 Hz, 575V | kW @ 50 Hz, 380/415V | Auxiliary Contacts | Product Number ¹ | List Price GO-10C2 |
|----------------------------------|-------------------------|-------------------------|-------------------------|-------------------------|-------------------------|-------------------------|----------------------|--------------------|-----------------------------|--------------------|
| 10A | 0.5 | 1.5 | 3 | 3 | 5 | 7.5 | 4 | 1NO | CL00D310R# | \$117.00 |
| 13.8A | 0.75 | 2 | 3 | 3 | 7.5 | 10 | 5.5 | 1NO | CL01D310R# | \$141.00 |
| 17.5A | 1 | 3 | 5 | 5 | 10 | 15 | 7.5 | 1NO | CL02D310R# | \$155.00 |

¹To complete the contactor product number, replace the # in the product number with the appropriate digit from the Coil Selection table.

5-25 Hp (460V) Reversing³ Standard Terminals

| Maximum Current @ 460 V (A) AC-3 | 1-Phase HP @60 Hz, 115V | 1-Phase HP @60 Hz, 230V | 3-Phase HP @60 Hz, 200V | 3-Phase HP @60 Hz, 230V | 3-Phase HP @60 Hz, 460V | 3-Phase HP @60 Hz, 575V | kW @ 50 Hz, 380/415V | Auxiliary Contacts | Product Number ¹ | List Price GO-10C2 |
|----------------------------------|-------------------------|-------------------------|-------------------------|-------------------------|-------------------------|-------------------------|----------------------|--------------------|-----------------------------|--------------------|
| 10A | 0.5 | 1.5 | 3 | 3 | 5 | 7.5 | 4 | 1NO | LDR00A# | \$290.00 |
| 13.8A | 0.75 | 2 | 3 | 3 | 7.5 | 10 | 5.5 | 1NO | LDR01A# | \$337.00 |
| 17.5A | 1 | 3 | 5 | 5 | 10 | 15 | 7.5 | 1NO | LDR02A# | \$366.00 |
| 22A | 1.5 | 3 | 5 | 7.5 | 15 | 15 | 11 | 1NO | LDR25A# ⁴ | \$399.00 |
| 32A | 2 | 5 | 10 | 10 | 20 | 25 | 16 | 1NO | LDR04A# | \$495.00 |
| 34A | 3 | 5 | 10 | 10 | 25 | 25 | 18.5 | 1NO | LDR45A# ⁴ | \$609.00 |

¹To complete the contactor product number, replace the # in the product number with the appropriate digit from the Coil Selection table.

³Reversing contactor consists of two (2) contactors, a mechanical interlock (BEL02) with built-in NC cross electrical contact, power wiring and cross electrical wiring and holding interlock.

⁴Reversing contactors with prefixes LDR25A and LDR45A supplied with 1NO front-mounted holding interlock mounted on each contactor. Add suffix "S" to product number for 1NO-1NC side auxiliary (assembled), add \$22.00 GO-10C2 to list price (example: LDR25AKS, list price \$399.00 + \$22.00 = \$421.00 GO-10C2).

(Replace crosshatch (#) in product number with appropriate digit from table below.)

Coil Selection Table

(CL00, CL01, CL02, CL25, CL04, CL45)

| DC Voltage | #Coil Suffix |
|------------|--------------|
| 12 | B |
| 24 | D |
| 48 | G |
| 125 | K |
| 250 | T |

Note: Additional coils available, see page 5-50.



IEC Power Devices

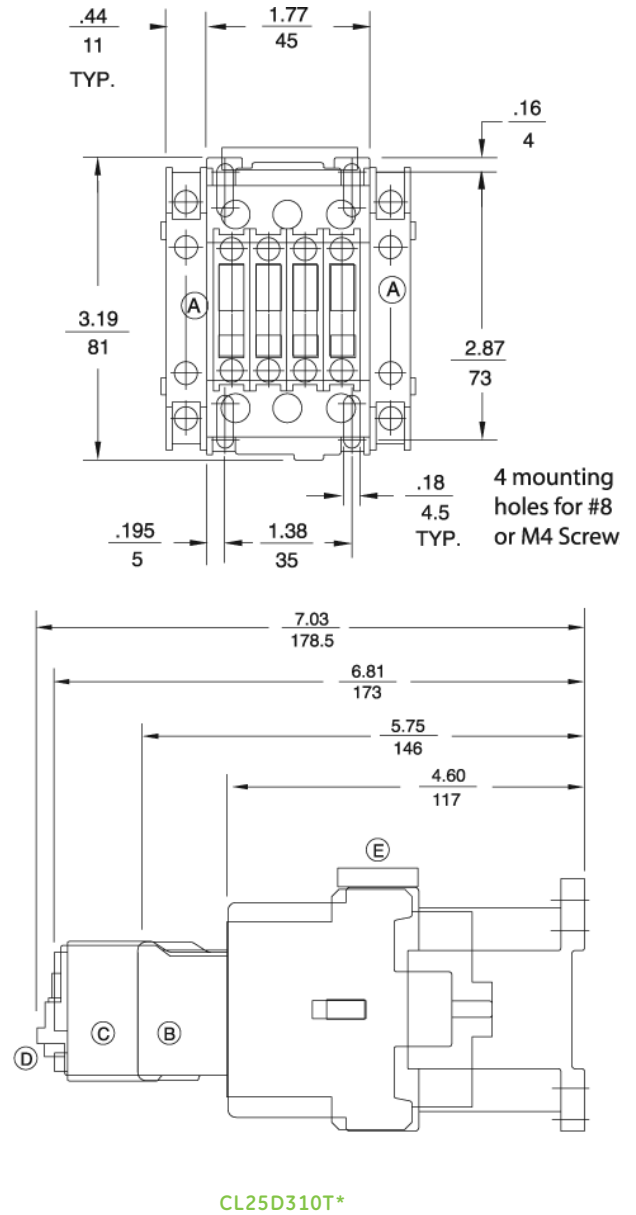
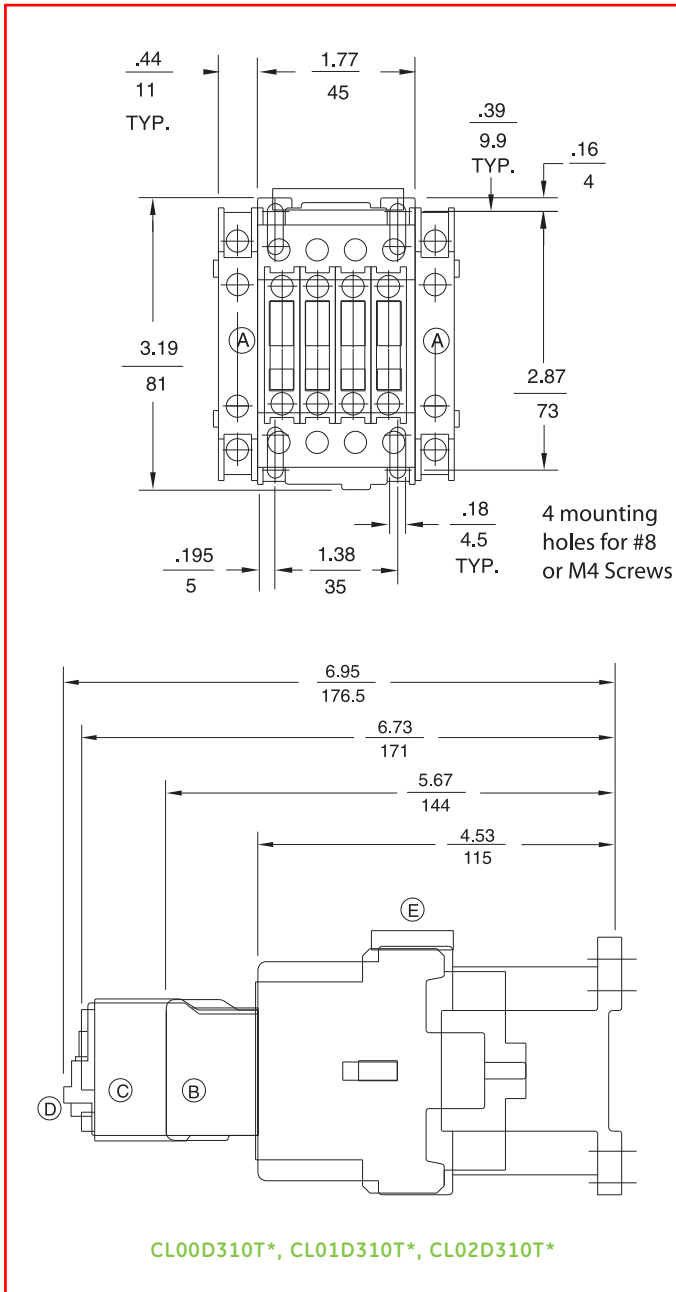
IEC Contactors Dimensions

C-2000

Outlines and Dimensions ($\frac{\text{in}}{\text{mm}}$) For Estimating Only

Section 5

Contactor Front View and DC Contactor Side View



Legend and Notes

- A Extra Auxiliary Contacts, Side Mounted (if used)
 - B Extra Auxiliary Contacts, Front Mounted (if used)
 - C Pneumatic Timer (if used)
 - D Mechanical Latch (if used)
 - E Transient Voltage Suppressor
- Add 1/2 inch for electrical clearance to enclosure.

