

## Product Selection

### When Ordering Supply

- Catalog number
- Heater pack number (see selection table, **Pages V5-T2-40 to V5-T2-42**) or full load current

### Size 0 Non-Reversing Starter



### Size 1 Reversing Starter



## Type AN16/AN56 NEMA—Manual or Automatic Reset Overload Relay—Non-Reversing and Reversing <sup>①</sup>

NEMA Size	Continuous Ampere Rating	Service-Limit Current Rating (Amperes) <sup>②</sup>	Maximum UL Horsepower <sup>②</sup>						Three-Pole Non-Reversing <sup>③</sup> Catalog Number	Three-Pole Reversing <sup>③</sup> Catalog Number	Vertical Reversing <sup>③</sup> Catalog Number
			Single-Phase		Three-Phase						
			115V	230V	208V	240V	480V	600V			
00	9	11	1/3	1	1-1/2	1-1/2	2	2	AN16AN0_C	AN56AN0_C	—
0	18	21	1	2	3	3	5	5	AN16BN0_C	AN56BN0_C	AN56BNV0_
1	27	32	2	3	7-1/2	7-1/2	10	10	AN16DN0_B	AN56DN0_B	AN56DNV0_
2	45	52	3	7-1/2	10	15	25	25	AN16GN0_B	AN56GN0_B	AN56GNV0_
3	90	104	—	—	25	30	50	50	AN16KN0_	AN56KN0_	AN56KNV0_
4	135	156	—	—	40	50	100	100	AN16NN0_	AN56NN0_	AN56NNV0_
5	270	311	—	—	75	100	200	200	AN16SN0_B	AN56SN0_B	—
6	540	621	—	—	150	200	400	400	AN16TN0_C	AN56TN0_C	—
7	810	932	—	—	200	300	600	600	AN16UN0_B	AN56UN0_B	—
8 <sup>⑤</sup>	1215	1400	—	—	400	450	900	900	AN16VN0_B	AN56VN0_B	—

### Magnet Coils—AC or DC

Starter coils listed in this section also have a 50 Hz rating as shown in the adjacent table. Select required starter by catalog number and replace the magnet coil alpha designation

in the catalog number ( ) with the proper code suffix from the table.

For Sizes 00–2 and 5–8, the magnet coil alpha designation will be the next to last digit of the listed catalog number.

EXAMPLE: For a 380V, 50 Hz coil, change AN16BN0\_C to AN16BN0LC. For all other sizes, the magnet coil alpha designation will be the last digit of the listed catalog number.

For **DC Magnet Coils**, see Accessories, **Pages V5-T2-28 and V5-T2-29**.

### AC Suffix

Coil Volts and Hertz	Code Suffix
120/60 or 110/50	<b>A</b>
240/60 or 220/50	<b>B</b>
480/60 or 440/50	<b>C</b>
600/60 or 550/50	<b>D</b>
208/60	<b>E</b>
277/60	<b>H</b>
208–240/60 <sup>⑥</sup>	<b>J</b>
240/50	<b>K</b>

Coil Volts and Hertz	Code Suffix
380–415/50	<b>L</b>
550/50	<b>N</b>
24/60, 24/50 <sup>⑦</sup>	<b>T</b>
24/50	<b>U</b>
32/50	<b>V</b>
48/60	<b>W</b>
48/50	<b>Y</b>
48/50	<b>Y</b>

### Notes

<sup>①</sup> Starter catalog numbers do not include heater packs. Select one carton of three heater packs. Heater pack selection, **Pages V5-T2-40 to V5-T2-42**.

<sup>②</sup> Maximum horsepower rating of starters for 380V 50 Hz applications:

NEMA Size	00	0	1	2	3	4	5	6	7	8
Horsepower	1-1/2	5	10	25	50	75	150	300	600	900

<sup>③</sup> Underscore ( ) indicates coil suffix required, see AC Suffix table.

<sup>④</sup> The service-limit current ratings represent the maximum rms current, in amperes, which the controller shall be permitted to carry for protracted periods in normal service. At service-limit current ratings, temperature rises shall be permitted to exceed those obtained by testing the controller at its continuous current rating. The current rating of overload relays or trip current of other motor protective devices used shall not exceed the service-limit current rating of the controller.

<sup>⑤</sup> Common control. For separate 120V control, insert letter **D** in 7th position of listed catalog number. Example: AN56VND0CB.

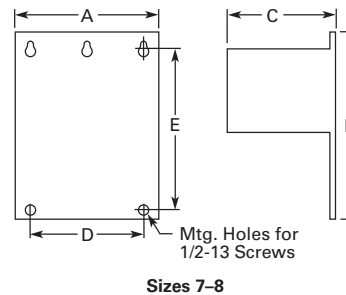
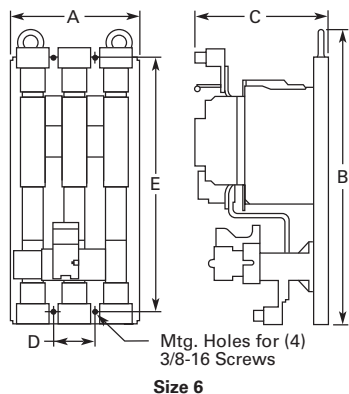
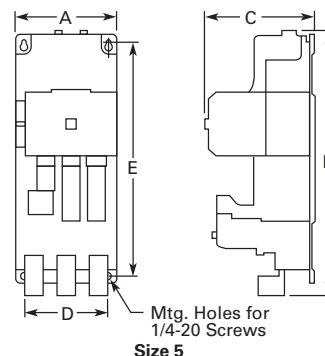
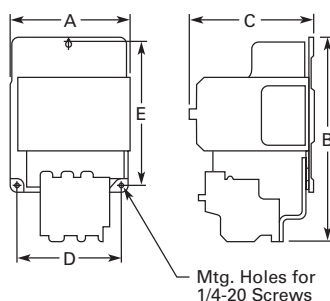
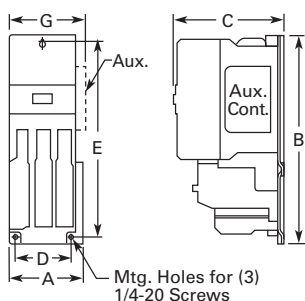
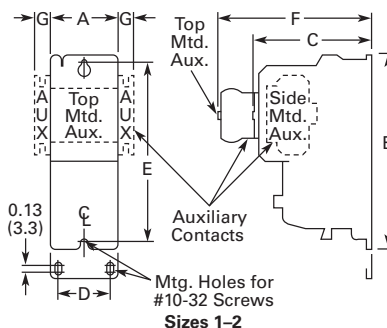
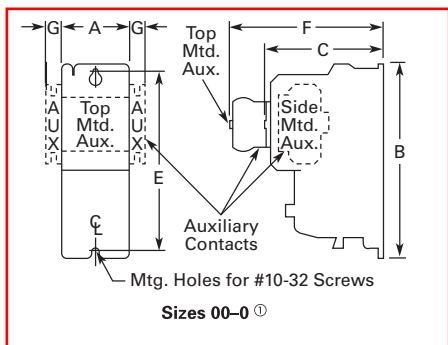
<sup>⑥</sup> NEMA Sizes 00 and 0 only.

<sup>⑦</sup> NEMA Sizes 00 and 0 only. Sizes 1–8 are 24/60 only.

### Dimensions

Approximate Dimensions in Inches (mm)

#### Non-Reversing Starters, Bi-Metallic Overload—Open Type



#### Dimensions and Shipping Weights

NEMA Size	Wide A	High B	Deep C	Mounting D	Mounting E	F	G	Shipping Weight Lbs (kg)
00-0	1.80 (45.7)	6.60 (167.6)	3.52 (89.4)	—	6.07 (154.2)	4.90 (124.5)	0.54 (13.7)	2.2 (1.0)
1-1P	2.56 (65.0)	7.08 (179.8)	4.44 (112.8)	2.00 (50.8)	6.63 (168.4)	5.80 (147.3)	0.54 (13.7)	4.5 (2.0)
2	2.56 (65.0)	8.08 (205.2)	4.44 (112.8)	2.00 (50.8)	7.63 (193.8)	5.80 (147.3)	0.54 (13.7)	4.7 (2.1)
3	4.08 (103.6)	11.35 (288.3)	5.94 (150.9)	3.00 (76.2)	10.81 (274.6)	—	—	11.0 (5.0)
4	7.05 (179.1)	12.06 (306.3)	7.25 (184.2)	6.00 (152.4)	8.50 (215.9)	—	—	23.0 (10.4)
5	7.00 (177.8)	17.77 (451.4)	7.76 (197.1)	6.00 (152.4)	16.00 (406.4)	—	—	36.0 (16.3)
6	9.47 (240.5)	21.69 (550.9)	9.90 (251.5)	3.10 (78.7)	18.00 (457.2)	—	—	75.0 (34.1)
7	15.13 (384.3)	29.13 (739.9)	12.64 (321.1)	13.25 (336.6)	21.25 (539.8)	—	—	120.0 (54.5)
8	15.13 (384.3)	34.50 (876.3)	15.00 (381.0)	13.25 (336.6)	16.75 (425.5)	—	—	210.0 (95.3)

#### Note

Ⓞ Holding circuit contact for Size 00 occupies 4th power pole position—no increase in width.