

## Product Selection

### When Ordering Supply

- Catalog number
- Heater pack number (see selection table, **Pages V5-T2-40 to V5-T2-42**) or full load current

### Size 0 Non-Reversing Starter



### Size 1 Reversing Starter



### Type AN16/AN56 NEMA—Manual or Automatic Reset Overload Relay—Non-Reversing and Reversing <sup>①</sup>

| NEMA Size      | Continuous Ampere Rating | Service-Limit Current Rating (Amperes) <sup>④</sup> | Maximum UL Horsepower <sup>②</sup> |       |             |       |      |      | Three-Pole Non-Reversing <sup>③</sup> Catalog Number | Three-Pole Reversing <sup>③</sup> Catalog Number | Vertical Reversing <sup>③</sup> Catalog Number |
|----------------|--------------------------|---|------------------------------------|-------|-------------|-------|------|------|--|--|--|
|                |                          |   | Single-Phase                       |       | Three-Phase |       |      |      |  |  |  |
|                |                          |   | 115V                               | 230V  | 208V        | 240V  | 480V | 600V |  |  |  |
| 00             | 9                        | 11  | 1/3                                | 1     | 1-1/2       | 1-1/2 | 2    | 2    | AN16AN0_C  | AN56AN0_C  | —  |
| 0              | 18                       | 21  | 1                                  | 2     | 3           | 3     | 5    | 5    | AN16BN0_C  | AN56BN0_C  | AN56BNV0_                                      |
| 1              | 27                       | 32  | 2                                  | 3     | 7-1/2       | 7-1/2 | 10   | 10   | AN16DN0_B  | AN56DN0_B  | AN56DNV0_                                      |
| 2              | 45                       | 52  | 3                                  | 7-1/2 | 10          | 15    | 25   | 25   | AN16GN0_B  | AN56GN0_B  | AN56GNV0_                                      |
| 3              | 90                       | 104   | —                                  | —     | 25          | 30    | 50   | 50   | AN16KN0_   | AN56KN0_   | AN56KNV0_                                      |
| 4              | 135                      | 156   | —                                  | —     | 40          | 50    | 100  | 100  | AN16NN0_   | AN56NN0_   | AN56NNV0_                                      |
| 5              | 270                      | 311   | —                                  | —     | 75          | 100   | 200  | 200  | AN16SN0_B  | AN56SN0_B  | —  |
| 6              | 540                      | 621   | —                                  | —     | 150         | 200   | 400  | 400  | AN16TN0_C  | AN56TN0_C  | —  |
| 7              | 810                      | 932   | —                                  | —     | 200         | 300   | 600  | 600  | AN16UN0_B  | AN56UN0_B  | —  |
| 8 <sup>⑤</sup> | 1215                     | 1400  | —                                  | —     | 400         | 450   | 900  | 900  | AN16VN0_B  | AN56VN0_B  | —  |

### Magnet Coils—AC or DC

Starter coils listed in this section also have a 50 Hz rating as shown in the adjacent table. Select required starter by catalog number and replace the magnet coil alpha designation

in the catalog number ( ) with the proper code suffix from the table.

For Sizes 00–2 and 5–8, the magnet coil alpha designation will be the next to last digit of the listed catalog number.

EXAMPLE: For a 380V, 50 Hz coil, change AN16BN0\_C to AN16BN0LC. For all other sizes, the magnet coil alpha designation will be the last digit of the listed catalog number.

For **DC Magnet Coils**, see Accessories, **Pages V5-T2-28 and V5-T2-29**.

### AC Suffix

| Coil Volts and Hertz    | Code Suffix |
|-------------------------|-------------|
| 120/60 or 110/50        | <b>A</b>    |
| 240/60 or 220/50        | <b>B</b>    |
| 480/60 or 440/50        | <b>C</b>    |
| 600/60 or 550/50        | <b>D</b>    |
| 208/60                  | <b>E</b>    |
| 277/60                  | <b>H</b>    |
| 208–240/60 <sup>⑥</sup> | <b>J</b>    |
| 240/50                  | <b>K</b>    |

| Coil Volts and Hertz      | Code Suffix |
|---------------------------|-------------|
| 380–415/50                | <b>L</b>    |
| 550/50                    | <b>N</b>    |
| 24/60, 24/50 <sup>⑦</sup> | <b>T</b>    |
| 24/50                     | <b>U</b>    |
| 32/50                     | <b>V</b>    |
| 48/60                     | <b>W</b>    |
| 48/50                     | <b>Y</b>    |
| 48/50                     | <b>Y</b>    |

### Notes

<sup>①</sup> Starter catalog numbers do not include heater packs. Select one carton of three heater packs. Heater pack selection, **Pages V5-T2-40 to V5-T2-42**.

<sup>②</sup> Maximum horsepower rating of starters for 380V 50 Hz applications:

| NEMA Size  | 00    | 0 | 1  | 2  | 3  | 4  | 5   | 6   | 7   | 8   |
|------------|-------|---|----|----|----|----|-----|-----|-----|-----|
| Horsepower | 1-1/2 | 5 | 10 | 25 | 50 | 75 | 150 | 300 | 600 | 900 |

<sup>③</sup> Underscore ( ) indicates coil suffix required, see AC Suffix table.

<sup>④</sup> The service-limit current ratings represent the maximum rms current, in amperes, which the controller shall be permitted to carry for protracted periods in normal service. At service-limit current ratings, temperature rises shall be permitted to exceed those obtained by testing the controller at its continuous current rating. The current rating of overload relays or trip current of other motor protective devices used shall not exceed the service-limit current rating of the controller.

<sup>⑤</sup> Common control. For separate 120V control, insert letter **D** in 7th position of listed catalog number. Example: AN56VND0CB.

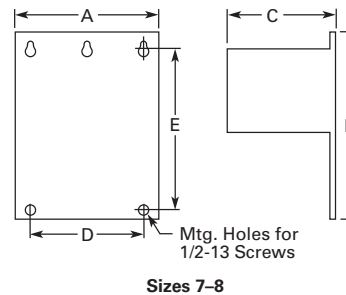
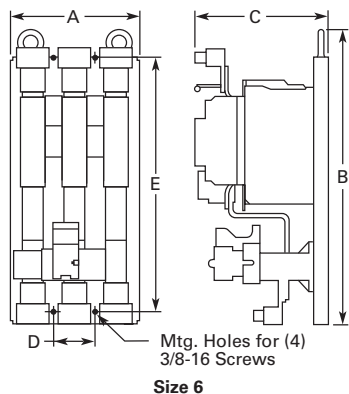
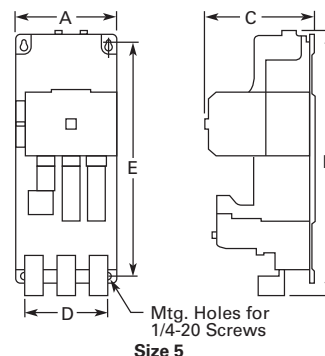
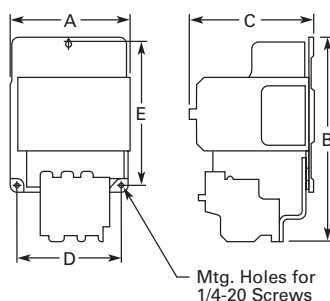
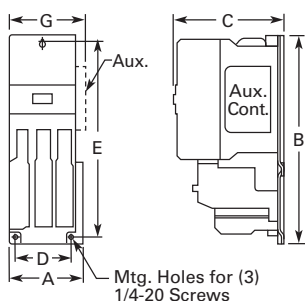
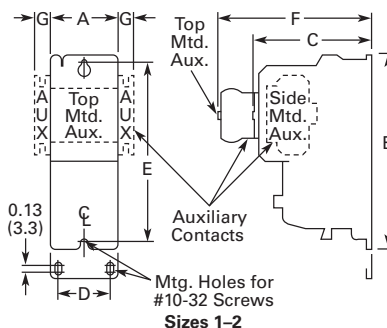
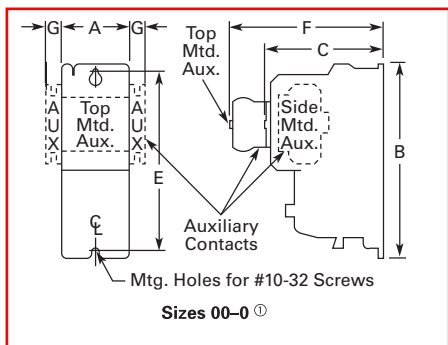
<sup>⑥</sup> NEMA Sizes 00 and 0 only.

<sup>⑦</sup> NEMA Sizes 00 and 0 only. Sizes 1–8 are 24/60 only.

### Dimensions

Approximate Dimensions in Inches (mm)

#### Non-Reversing Starters, Bi-Metallic Overload—Open Type



#### Dimensions and Shipping Weights

| NEMA Size | Wide A        | High B        | Deep C        | Mounting D    | Mounting E    | F            | G           | Shipping Weight Lbs (kg) |
|-----------|---------------|---------------|---------------|---------------|---------------|--------------|-------------|--------------------------|
| 00-0      | 1.80 (45.7)   | 6.60 (167.6)  | 3.52 (89.4)   | —             | 6.07 (154.2)  | 4.90 (124.5) | 0.54 (13.7) | 2.2 (1.0)                |
| 1-1P      | 2.56 (65.0)   | 7.08 (179.8)  | 4.44 (112.8)  | 2.00 (50.8)   | 6.63 (168.4)  | 5.80 (147.3) | 0.54 (13.7) | 4.5 (2.0)                |
| 2         | 2.56 (65.0)   | 8.08 (205.2)  | 4.44 (112.8)  | 2.00 (50.8)   | 7.63 (193.8)  | 5.80 (147.3) | 0.54 (13.7) | 4.7 (2.1)                |
| 3         | 4.08 (103.6)  | 11.35 (288.3) | 5.94 (150.9)  | 3.00 (76.2)   | 10.81 (274.6) | —            | —           | 11.0 (5.0)               |
| 4         | 7.05 (179.1)  | 12.06 (306.3) | 7.25 (184.2)  | 6.00 (152.4)  | 8.50 (215.9)  | —            | —           | 23.0 (10.4)              |
| 5         | 7.00 (177.8)  | 17.77 (451.4) | 7.76 (197.1)  | 6.00 (152.4)  | 16.00 (406.4) | —            | —           | 36.0 (16.3)              |
| 6         | 9.47 (240.5)  | 21.69 (550.9) | 9.90 (251.5)  | 3.10 (78.7)   | 18.00 (457.2) | —            | —           | 75.0 (34.1)              |
| 7         | 15.13 (384.3) | 29.13 (739.9) | 12.64 (321.1) | 13.25 (336.6) | 21.25 (539.8) | —            | —           | 120.0 (54.5)             |
| 8         | 15.13 (384.3) | 34.50 (876.3) | 15.00 (381.0) | 13.25 (336.6) | 16.75 (425.5) | —            | —           | 210.0 (95.3)             |

#### Note

Ⓞ Holding circuit contact for Size 00 occupies 4th power pole position—no increase in width.