

IEC Power Control

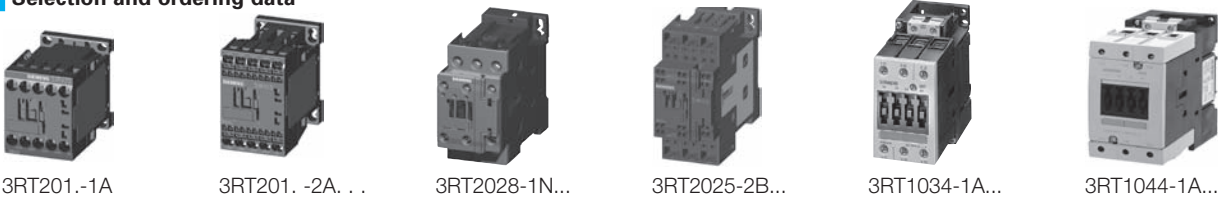
Contactors for Switching Motors

SIRIUS



3RT contactors, 3-pole
Size S00 to S3

Selection and ordering data



| Frame Size | Amp Ratings | | Single-phase HP ratings | | | Three-phase HP ratings | | | | Auxiliary contacts | | Screw Terminals | Spring-Loaded Terminals | Weight approx. kg |
|--|-------------|-----|-------------------------|------|------|------------------------|------|------|------|--------------------|----|--|--|-------------------|
| | AC3 | AC1 | 115V | 208V | 230V | 208V | 230V | 460V | 575V | NO | NC | Order No. | Order No. | |
| 3RT 3-pole contactors | | | | | | | | | | | | | | |
| S00 | 7 | 18 | 0.25 | 0.5 | 0.75 | 1.5 | 2 | 3 | 5 | 1 | 0 | 3RT2015-1□●●1 | 3RT2015-2□●●1 | 0.24/0.29 |
| | 9 | 22 | 0.33 | 1 | 1 | 2 | 3 | 5 | 7.5 | 0 | 1 | 3RT2016-1□●●1 | 3RT2016-2□●●1 | |
| | 12 | 22 | 0.5 | 1.5 | 2 | 3 | 3 | 7.5 | 10 | 1 | 0 | 3RT2017-1□●●1 | 3RT2017-2□●●1 | |
| | 16 | 22 | 1 | 2 | 2 | 3 | 5 | 10 | 10 | 1 | 0 | 3RT2018-1□●●1 | 3RT2018-2□●●1 | |
| S0 | 9 | 40 | 1 | 1 | 1 | 2 | 3 | 5 | 7.5 | 1 | 1 | 3RT2023-1□●●0 | 3RT2023-2□●●0 | 0.42/0.60 |
| | 12 | 40 | 1 | 2 | 2 | 3 | 3 | 7.5 | 10 | 1 | 1 | 3RT2024-1□●●0 | 3RT2024-2□●●0 | |
| | 16 | 40 | 1 | 2 | 3 | 5 | 5 | 10 | 15 | 1 | 1 | 3RT2025-1□●●0 | 3RT2025-2□●●0 | |
| | 25 | 40 | 2 | 3 | 3 | 7.5 | 7.5 | 15 | 20 | 1 | 1 | 3RT2026-1□●●0 | 3RT2026-2□●●0 | |
| | 32 | 50 | 2 | 5 | 5 | 10 | 10 | 20 | 25 | 1 | 1 | 3RT2027-1□●●0 | 3RT2027-2□●●0 | |
| S2 | 38 | 50 | 3 | 5 | 5 | 10 | 10 | 25 | 25 | 1 | 1 | 3RT2028-1□●●0 | 3RT2028-2□●●0 | 0.85/1.45 |
| | 28 | 50 | 2 | 3 | 5 | 7.5 | 10 | 20 | 25 | 0 | 0 | 3RT1033-1□●●0 | 3RT1033-3□●●0 | |
| | 32 | 50 | 2 | 5 | 5 | 10 | 10 | 25 | 30 | 0 | 0 | 3RT1034-1□●●0 | 3RT1034-3□●●0 | |
| | 40 | 60 | 3 | 5 | 7.5 | 10 | 15 | 30 | 40 | 0 | 0 | 3RT1035-1□●●0 | 3RT1035-3□●●0 | |
| S3 | 50 | 60 | 3 | 7.5 | 10 | 15 | 15 | 40 | 50 | 0 | 0 | 3RT1036-1□●●0 | 3RT1036-3□●●0 | 1.8/2.8 |
| | 65 | 100 | 5 | 10 | 15 | 20 | 25 | 50 | 60 | 0 | 0 | 3RT1044-1□●●0 | 3RT1044-3□●●0 | |
| | 80 | 120 | 7.5 | 15 | 15 | 25 | 30 | 60 | 75 | 0 | 0 | 3RT1045-1□●●0 | 3RT1045-3□●●0 | |
| | 95 | 120 | 10 | 15 | 20 | 30 | 30 | 75 | 100 | 0 | 0 | 3RT1046-1□●●0 | 3RT1046-3□●●0 | |
| Size S0 only: UC Electronic with integrated varistor | | | | | | | | | | | | <input type="checkbox"/> AC Coil = A <input type="checkbox"/> DC Coil = B <input type="checkbox"/> UC Coil = N | <input type="checkbox"/> A <input type="checkbox"/> B <input type="checkbox"/> N | |

| NEMA Size | Amp Ratings | Single-phase HP ratings | | | Three-phase HP ratings | | | | Auxiliary contacts | | Screw Terminals with AC coil | Spring Terminals with 24 VDC coil | Weight approx. kg |
|--------------------------------|-------------|-------------------------|------|------|------------------------|------|------|------|--------------------|----|------------------------------|-----------------------------------|-------------------|
| | | 115V | 208V | 230V | 208V | 230V | 460V | 575V | NO | NC | Order No. | Order No. | |
| NEMA Labeled Contactors | | | | | | | | | | | | | |
| 0 | 16 | 1 | 2 | 2 | 3 | 5 | 10 | 10 | 1 | 0 | 3RT2018-1A□●●1-0UA0 | 3RT2018-1BB41-0UA0 | 0.28 |
| 1 | 25 | 2 | 3 | 3 | 7.5 | 7.5 | 15 | 20 | 1 | 1 | 3RT2026-1A□●●0-0UA0 | 3RT2026-1BB40-0UA0 | 0.46 / 0.58 |
| 2 | 45 | 3 | 7.5 | 7.5 | 10 | 15 | 25 | 25 | 0 | 0 | 3RT1036-1A□●●0-0UA0 | 3RT1036-1BB40-0UA0 | 0.85 / 1.45 |
| 3 | 90 | 10 | 15 | 20 | 25 | 30 | 50 | 50 | 0 | 0 | 3RT1046-1A□●●0-0UA0 | 3RT1046-1BB40-0UA0 | 1.8 / 2.8 |

1 All terminals are spring loaded on frame sizes S00 & S0.
Only the coil terminals are spring loaded on frame sizes S2 & S3.

Note: Ring lug terminals are also available in size S00 & S0 contactors, except contactors with communication interface or UC coil. Change the 8th digit of the order number to a "4", e. g. 3RT2015-4AK61.

For further coil voltages, see page 2/49.
For auxiliaries and accessories, see page 2/65-2/80.
For spare parts, see page 2/82-2/86.
For technical data, see page 2/108-2/129.
For description, see page 2/91-2/92.
For int. circuit diagrams, see page 2/177-2/184.
For dimension drawings, see page 2/196-2/199.

AC coil selection for 3RT201 through 3RT104.-.□ = A

| Coil Code | C2 ²⁾ | H2 ³⁾ | K6 | P6 | U6 | V6 | T6 |
|-----------|------------------|------------------|-----|-----|-----|-----|-----|
| 60 Hz | 24 | 48 | 120 | 240 | 277 | 480 | 600 |
| 50 Hz | 24 | 48 | 110 | 220 | — | — | — |

²⁾ Use code B0 for 3RT201 (S00)

³⁾ Use code H0 for 3RT201 (S00)

DC coil selection for 3RT201 through 3RT104.-.□ = B

| Coil Code | A4 ⁴⁾ | B4 | W4 | E4 | F4 | G4 | M4 |
|-----------|------------------|------|------|------|-------|-------|-------|
| DC | 12 V | 24 V | 48 V | 60 V | 110 V | 125 V | 220 V |

⁴⁾ For 3RT201 (S00) only

UC coil selection for 3RT201 through 3RT104.-.□ = N

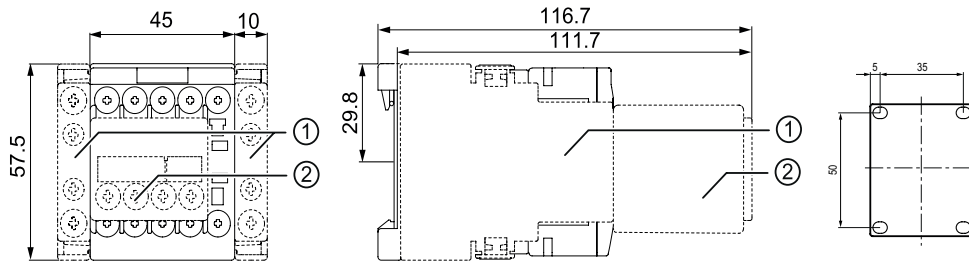
| Coil Code | B3 | F3 | P3 ⁵⁾ |
|-----------|---------|----------|------------------|
| UC | 21-28 V | 95-130 V | 200-280 V |

⁵⁾ At upper limit = 1.1 x U_s

3RT20 contactors, 3-pole

Dimension drawings

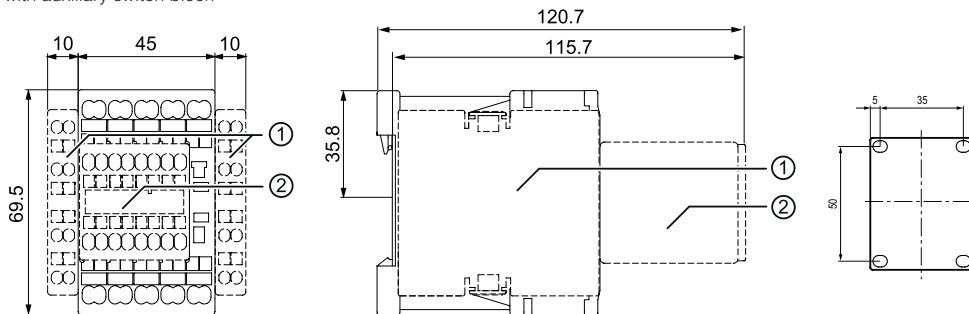
3RT2.1.-1 contactor and 3RH21...-1 contactor relays
Size S00 and NEMA Size 0, screw connection
with surge suppressor and auxiliary switch block



Lateral clearance from
earthed parts = 6 mm

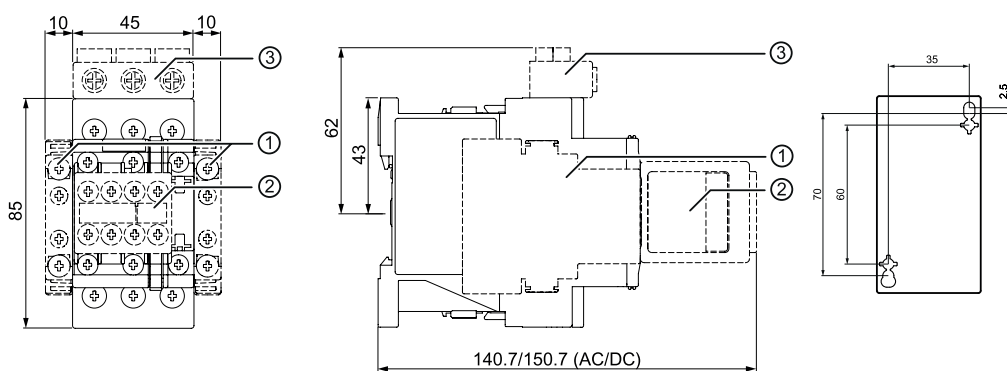
- 1) Laterally mountable auxiliary switch block
3RH2911-1DA.. / -1DE.. / -1EE..
- 2) Auxiliary switch block for mounting on the front
3RH2911-1FA.. / -1GA.. / -1HA.. / -1NF..

3RT2.1.-2 contactor and 3RH21...-2 contactor relay
Size S00, Spring-type terminal connection
with auxiliary switch block



- 1) Laterally mountable auxiliary switch block
3RH2911-2DA.. / -2DE.. / -2EE..
- 2) Auxiliary switch block for mounting on the front
3RH2911-2FA.. / -2GA.. / -2HA.. / -2NF..

3RT2.2.-1 contactors Size S0 and NEMA Size 1,
(screw-type connection system) with auxiliary switch blocks
mounted and other accessories



- 1) Laterally mountable auxiliary switch block
3RH2921-1DA.. / -1DE..
- 2) Auxiliary switch block for mounting on the front
3RH2911-1FA.. / -1GA.. / -1HA.. / -1NF..
- 3) 3-phase infeed terminal
3RV2925-5AB

For specific dimensions, 2D / 3D CAD files and technical data, please visit www.siemens.com/cax