



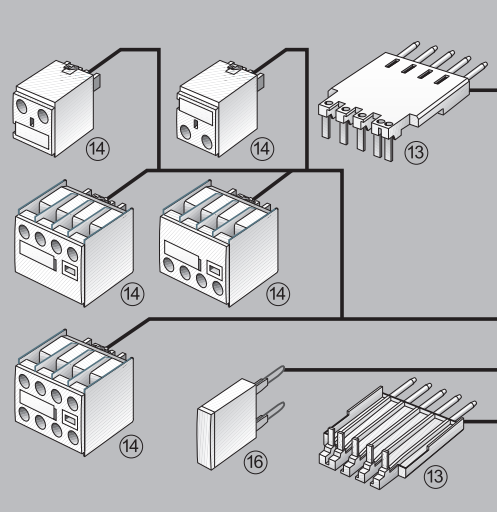
Selection and ordering data

Size S00 - up to 5.5 kW

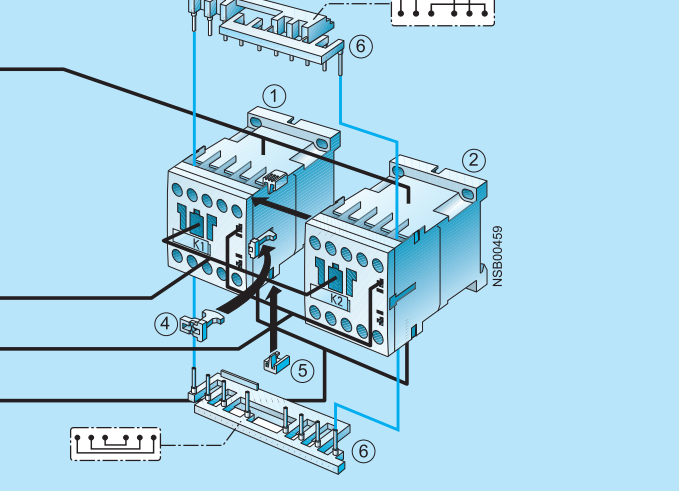
AC-3 maximum inductive current	Maximum Horsepower ratings of three-phase motors				Rated control supply voltage	Fully wired and tested contactor assembly ³⁾	Weight approx.
	200 V	230 V	460 V	575 V			
A	HP	HP	HP	HP		Order No.	List Price \$
AC operation							
7	1.5	2	3	5	24 V, 50/60 Hz 120 V, 60 Hz 240 V, 60 Hz	3RA13 15-8XB30-1AB0 3RA13 15-8XB30-1AK6 3RA13 15-8XB30-1AP6	0.4
9	2	3	5	7.5	24 V, 50/60 Hz 120 V, 60 Hz 240 V, 60 Hz	3RA13 16-8XB30-1AB0 3RA13 16-8XB30-1AK6 3RA13 16-8XB30-1AP6	
12	3	3	7.5	10	24 V, 50/60 Hz 120 V, 60 Hz 240 V, 60 Hz	3RA13 17-8XB30-1AB0 3RA13 17-8XB30-1AK6 3RA13 17-8XB30-1AP6	
DC operation							
7	1.5	2	3	5	DC 24 V	3RA13 15-8XB30-1BB4	0.52
9	2	3	5	7.5	DC 24 V	3RA13 16-8XB30-1BB4	
12	3	3	7.5	10	DC 24 V	3RA13 17-8XB30-1BB4	



Mountable accessories (to be ordered separately):



The fully wired and tested contactor assembly includes the following components:



Accessory	Order No.	Page
13 Solder pin adapter	3RT19 16-4KA1	2/45
14 Auxiliary switch block, mountable on the front (only auxiliary switch blocks to DIN EN 50 005 can be used)	3RH19 11-1....	2/35
16 Surge suppressor	3RT19 16-1....	2/41, 2/42

Components	Order No. K1	Order No. K2	Page
1 2 Contactors, 3 HP	3RT10 15	3RT10 15	2/8
1 2 Contactors, 5 HP	3RT10 16	3RT10 16	2/8
1 2 Contactors, 7.5 HP	3RT10 17	3RT10 17	2/8
4 5 6 Installation kit	3RA19 13-2A		2/48

The installation kit contains:

- 4 Mechanical interlock
- 5 2 connecting clips for 2 contactors
- 6 Wiring connectors on the top and bottom for connecting the main conducting paths, electrical interlock included ²⁾, interruptible (NC contact interlock)

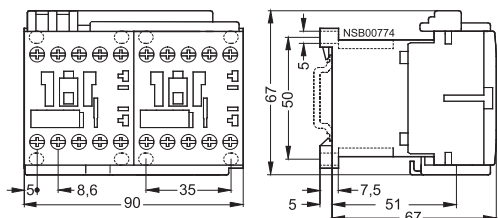
For further voltages, see page 2/23.
 For overview, see page 2/71-72.
 For accessories, see page 2/48-49.
 For circuit diagrams, see page 2/161.
 For dimension drawings, see page 2/181.

- 1) 3RT10 1. contactors with one NC contact in the basic unit are required for the electrical interlock.
- 2) The contactors integrated in the contactor assemblies have no unassigned auxiliary contacts.



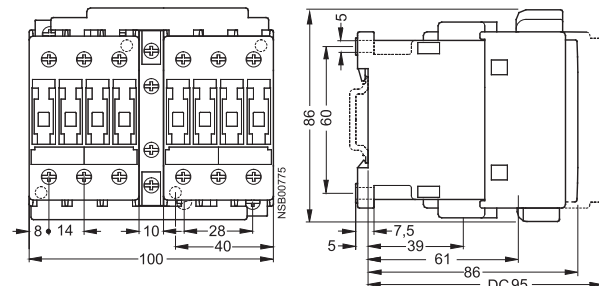
Dimension drawings

Size S00



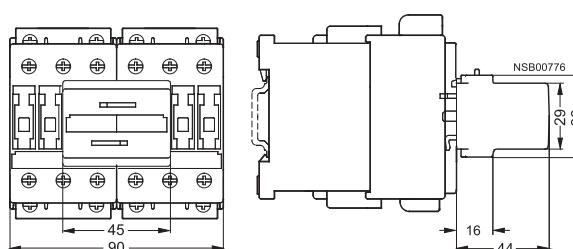
Size S0
With 3RA19 24-2B mechanical inter-
lock

laterally mountable

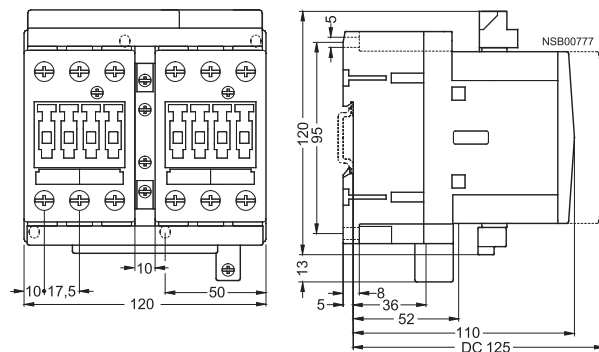


With 3RA19 24-1A mechanical inter-
lock

Mountable on front



Size S2



Size S3

